



INSTALLATION MANUAL

Steam generator
Condair **Omega Pro**

Thank you for choosing Condair

Installation date (MM/DD/YYYY):

Commissioning date (MM/DD/YYYY):

Site:

Model:

Serial number:

Proprietary Notice

This document and the information disclosed herein are proprietary data of Condair Group AG. Neither this document, nor the information contained herein shall be reproduced, used, or disclosed to others without the written authorisation of Condair Group AG, except to the extent required for installation or maintenance of recipient's equipment.

Liability Notice

Condair Group AG does not accept any liability due to incorrect installation or operation of the equipment or due to the use of parts/components/equipment that are not authorised by Condair Group AG.

Copyright Notice

© Condair Group AG, All rights reserved.

Technical modifications reserved

Contents

1	Introduction	5
1.1	To the very beginning	5
1.2	Notes on the installation manual	5
2	For your safety	7
3	Product Overview	9
3.1	Models overview	9
3.1.1	Single units Small ("S") , Omega Pro 5...10 and Medium ("M"), Omega Pro 16...40	9
3.1.2	Single units Large ("L"), Omega Pro 50...80	10
3.1.3	Double units (2 x "M"), Omega Pro 40...80	11
3.1.4	Linkup systems (3 x "M"), Omega Pro 100...120	12
3.1.5	Linkup systems (4 x "M"), Omega Pro 140...160	13
3.2	Product designation	14
3.3	Options	16
3.4	Accessories	18
4	Receiving and storage	19
4.1	Inspection	19
4.2	Storage and Transportation	20
5	Mounting and installation work	21
5.1	Safety notes on mounting and installation work	21
5.2	Installation overviews	22
5.3	Mounting the unit	24
5.3.1	Notes on locating the unit	24
5.3.2	Mounting the steam generator	26
5.3.2.1	Standard mounting	26
5.3.2.2	Rail mounting (option)	29
5.3.3	Inspecting the installed unit	31
5.4	Steam installation	32
5.4.1	Overviews steam installation	32
5.4.2	Positioning/mounting the steam distributor	34
5.4.3	Positioning and mounting of the blower packs (accessory BP)	35
5.4.4	Installing the steam and condensate lines	36
5.4.5	Common steam and condensate line errors	41
5.4.6	Inspecting the steam installation	42
5.5	Water installation	43
5.5.1	Overview water installation	43
5.5.2	Notes on water installation	45
5.5.3	Inspecting the water installation	46
5.6	Notes on humidity control for direct room humidification	47
5.6.1	Principle diagram room humidity control	47

5.7	Electrical installation	48
5.7.1	Notes on electrical installation	48
5.7.2	Wiring diagram Condair Omega Pro 5...40 - Single units "S" and "M"	49
5.7.3	Wiring diagram Condair Omega Pro 50...80 - Single units "L"	50
5.7.4	Wiring diagram Condair Omega Pro 40...80 - Double units 2 x "M"	51
5.7.5	Wiring diagram Condair Omega Pro 100...160 - Linkup systems 3 x "M" or 4 x "M"	52
5.7.6	Installation work external connections	54
5.7.7	Performance data / Fuses "F3" Heating voltage supply	61
5.7.8	Inspecting the electrical installation	62
6	Appendix	63
6.1	Unit dimensions	63
6.1.1	Unit dimensions unit "S" (Omega Pro 5...10)	63
6.1.2	Unit dimensions unit "M" (Omega Pro 16...160)	64
6.1.3	Unit dimensions unit "L" (Omega Pro 50...80)	65
6.2	EC Declaration of conformity	66

1 Introduction

1.1 To the very beginning

We thank you for having purchased the **Condair Omega Pro steam generator**.

The Condair Omega Pro steam generator incorporates the latest technical advances and meets all recognized safety standards. Nevertheless, improper use of the Condair Omega Pro steam generator may result in danger to the user or third parties and/or damage to property.

To ensure a safe, proper, and economical operation of the Condair Omega Pro steam generator, please observe and comply with all information and safety instructions contained in the present documentation as well as in the separate documentations of the components installed in the humidification system.

If you have questions after reading this documentation, please contact your Condair representative. They will be glad to assist you.

1.2 Notes on the installation manual

Limitation

The subject of this installation manual is the Condair Omega Pro steam generator in its different versions. The various options and accessories are only described insofar as is necessary for proper operation of the equipment. Further information on options and accessories can be obtained in their respective instructions.

This installation manual is restricted to the **installation** of the Condair Omega Pro steam generator and is meant for **well trained personnel being sufficiently qualified for their respective work**.

This installation manual is supplemented by various separate items of documentation (operation manual, spare parts list, etc.), which are included in the delivery as well. Where necessary, appropriate cross-references are made to these publications in the installation manual.

Symbols used in this manual



CAUTION!

The catchword "CAUTION" used in conjunction with the caution symbol in the circle designates notes in this installation manual that, if neglected, may cause **damage and/or malfunction of the unit or damage to property**.



WARNING!

The catchword "WARNING" used in conjunction with the general caution symbol designates safety and danger notes in this installation manual that, if neglected, may cause **injury to persons**.



DANGER!

The catchword "DANGER" used in conjunction with the general caution symbol designates safety and danger notes in this installation manual that, if neglected, may lead to **severe injury or even death of persons**.

Safekeeping

Please safeguard this installation manual in a safe place, where it can be immediately accessed. If the equipment changes hands, the documentation must be passed on to the new operator.

If the documentation gets misplaced, please contact your Condair representative.

Language versions

This installation manual is available in other languages. Please contact your Condair representative for information.

2 For your safety

General

Every person, who is in charge of the installation work on the Condair Omega Pro must have read and understood this installation manual and the Condair Omega Pro operation manual before carrying out any work.

Knowing and understanding the contents of the installation manual and the operation manual is a basic requirement for protecting personnel against any kind of danger, to prevent faulty operation, and to operate the unit safely and correctly.

All icons, signs and markings applied to the Condair Omega Pro must be observed and kept in readable state.

Qualification of personnel

All installation work described in this installation manual **may only be carried out by specialists who are well trained and adequately qualified and are authorised by the customer.**

For safety and warranty reasons any action beyond the scope of this manual must be carried out only by qualified personnel authorised by Condair.

It is assumed that all persons working with the Condair Omega Pro are familiar and comply with the appropriate regulations on work safety and the prevention of accidents.

Intended use

The Condair Omega Pro steam generator is intended exclusively for **generation of steam for SPA applications within the specified operating conditions** (see Condair Omega Pro operation manual). Any other type of application, without the written consent of Condair, is considered as not conforming with the intended purpose and may lead to the Condair Omega Pro becoming dangerous and will void any warranty.

Operation of the equipment in the intended manner requires **that all the information contained in this installation manual are observed (in particular the safety instructions).**

Danger that may arise from the Condair Omega Pro



DANGER!
Danger of electric shock!

The Condair Omega Pro is mains powered. Live parts may be exposed when the unit is open. Touching live parts may cause severe injury or danger to life.

Prevention: The Condair Omega Pro must be connected to the mains only after all mounting and installation work has been completed, all installations have been checked for correct workmanship and the unit is closed and properly locked.

Preventing unsafe operation

All persons working with the Condair Omega Pro are obliged to report any alterations to the unit that may affect safety to the owner without delay and to **secure the Condair Omega Pro against accidental power-up**.

Prohibited modifications to the unit

No modifications must be undertaken on the Condair Omega Pro without the express written consent of Condair.

For the replacement of defective components use exclusively **original accessories and spare parts** available from your Condair representative.

3 Product Overview

3.1 Models overview

Condair Omega Pro steam generators are available as **single units with different housing sizes (S, M and L)**, as **double units (2 x "M")** and as **Linkup systems (3 x "M" or 4 x "M")** with **different heating voltages and steam capacities ranging from 5 kg/h up to a maximum of 160 kg/h**.

3.1.1 Single units Small ("S") , Omega Pro 5...10 and Medium ("M"), Omega Pro 16...40

Housing size	Condair Omega Pro	230 V/1~	200V/3~	230V/3~	380V/3~	400V/3~	415V/3~	440V/3~	460V/3~	480V/3~	500V/3~	600V/3~
		kg/h	kg/h	kg/h	kg/h	kg/h	kg/h	kg/h	kg/h	kg/h	kg/h	kg/h
S	5	5.0	—	5.0	4.6	5.0	5.4	—	—	—	—	—
	8	8.0	—	8.0	7.3	8.0	8.7	—	—	—	—	—
	10	9.8	—	9.8	9.0	10.0	10.7	10.8	11.8	12.8	13.9	10.3
M	16	—	14.9	16.0	14.5	16.0	17.3	15.3	16.7	18.2	19.8	14.2
	20	—	18.1	19.7	17.9	20.0	21.4	17.2	18.8	20.5	22.2	21.3
	24	—	22.3	24.0	21.8	24.0	26.0	—	—	—	—	—
	30	—	30.0	29.5	26.9	30.0	32.0	24.0	26.2	28.6	31.0	32.0
	40	—	—	—	36.1	40.0	43.1	36.0	39.4	42.9	46.5	42.7

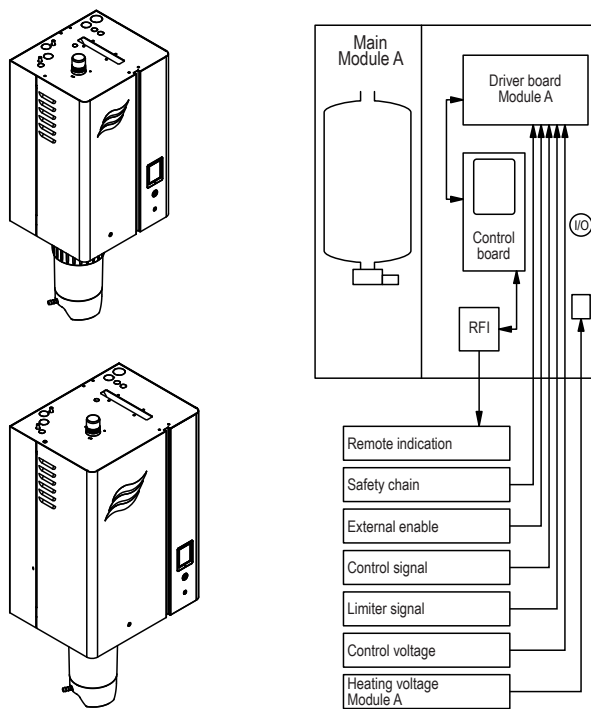


Fig. 1: Overview single units Small ("S") and Medium ("M")

3.1.2 Single units Large ("L"), Omega Pro 50...80

Housing size	Condair Omega Pro	230 V/1~	200V/3~	230V/3~	380V/3~	400V/3~	415V/3~	440V/3~	460V/3~	480V/3~	500V/3~	600V/3~
		kg/h	kg/h	kg/h	kg/h	kg/h	kg/h	kg/h	kg/h	kg/h	kg/h	kg/h
L	50	—	—	—	—	50.0	53.4	—	—	—	—	—
L	60	—	—	—	—	60.0	64.0	—	—	—	—	—
L	80	—	—	—	—	80.0	86.2	—	—	—	—	—

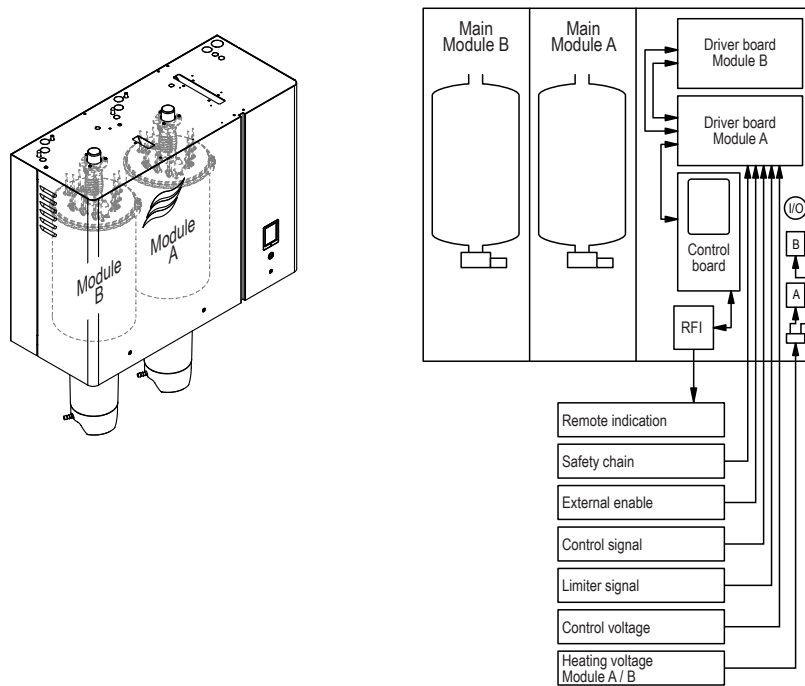


Fig. 2: Overview single units Large ("L")

3.1.3 Double units (2 x "M"), Omega Pro 40...80

Housing size	Condair Omega Pro	230 V/1~	200V/3~	230V/3~	380V/3~	400V/3~	415V/3~	440V/3~	460V/3~	480V/3~	500V/3~	600V/3~
		kg/h	kg/h	kg/h	kg/h	kg/h	kg/h	kg/h	kg/h	kg/h	kg/h	kg/h
2*M	40	—	2*18.1	2*19.7	—	—	—	—	—	—	—	—
	50 A + B	—	18.1 + 30.0	19.7 + 29.5	17.9 + 26.9	20.0 + 30.0	21.4 + 32.0	17.2 + 24.0	18.8 + 26.2	20.5 + 28.6	22.2 + 31.0	21.3 + 32.0
2*M	60	—	2*30.0	2*29.5	2*26.9	2*30.0	2*32.0	2*24.0	2*18.8	2*20.5	2*22.2	2*21.3
2*M	80	—	—	—	2* 36.1	2*40.0	2*43.1	2*36.0	2*39.4	2*42.9	2*46.5	2*42.7

A= Module A, B= Module B

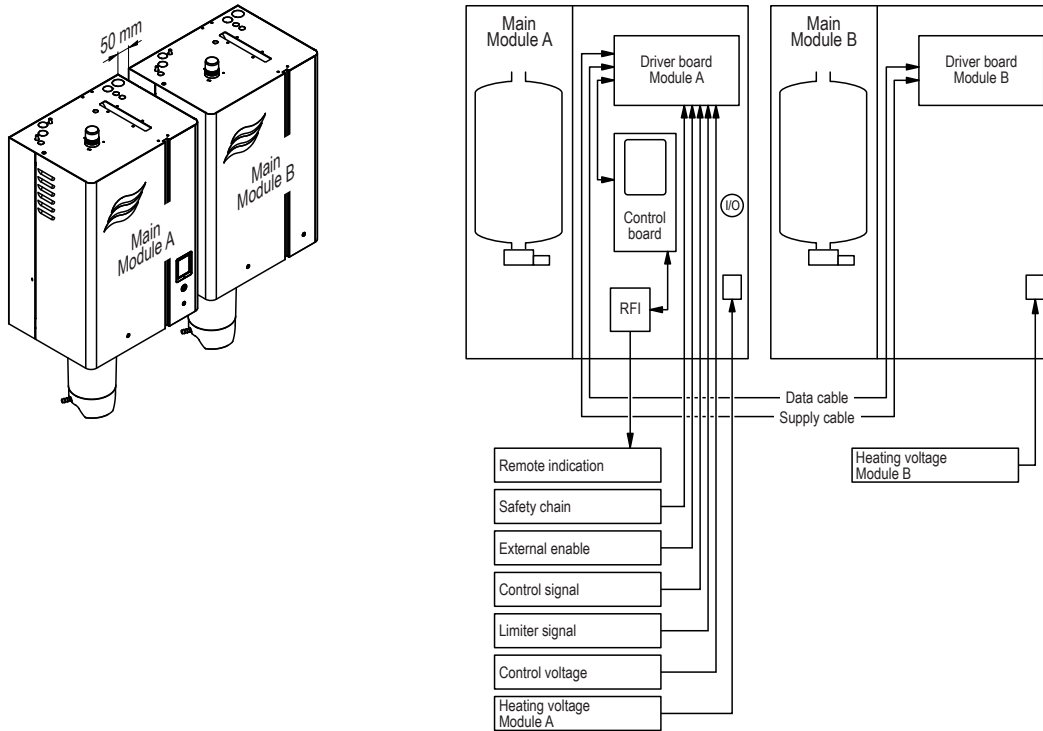


Fig. 3: Overview double units (2 x "M")

3.1.4 Linkup systems (3 x "M"), Omega Pro 100...120

Housing size	Condair Omega Pro	230 V/1~	200 V/3~	230 V/3~	380 V/3~	400 V/3~	415 V/3~	440 V/3~	460 V/3~	480 V/3~	500 V/3~	600 V/3~
		kg/h	kg/h	kg/h	kg/h	kg/h	kg/h	kg/h	kg/h	kg/h	kg/h	kg/h
3*M	100 M + E	—	—	—	—	2*30.0 + 40.0	2*32.0 + 43.1	—	—	—	—	—
	120	—	—	—	—	3*40.0	3*43.1	—	—	—	—	—

M= Main unit, E= Extension unit

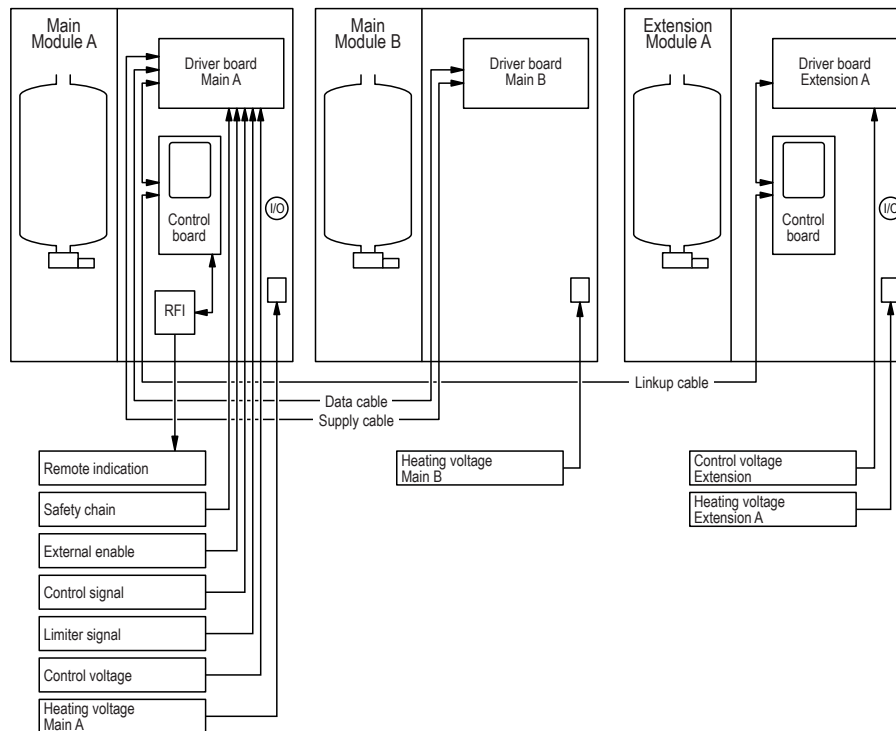
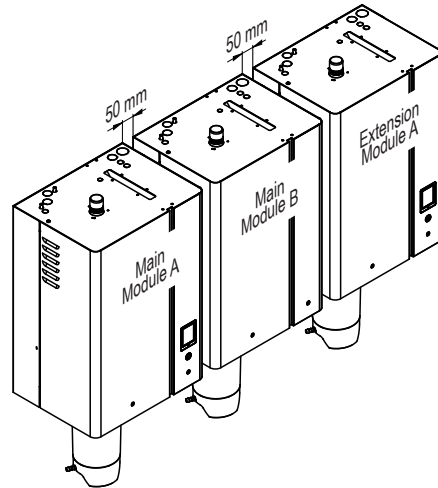


Fig. 4: Overview Linkup systems (3 x "M")

3.1.5 Linkup systems (4 x "M"), Omega Pro 140...160

Housing size	Condair Omega Pro	230 V/1~	200 V/3~	230 V/3~	380 V/3~	400 V/3~	415 V/3~	440 V/3~	460 V/3~	480 V/3~	500 V/3~	600 V/3~
		kg/h	kg/h	kg/h	kg/h	kg/h	kg/h	kg/h	kg/h	kg/h	kg/h	kg/h
4*M	140 M + E	—	—	—	—	2*30.0 + 2*40.0	2*32.0 + 2*43.1	—	—	—	—	—
	160	—	—	—	—	4*40.0	4*43.1	—	—	—	—	—

M= Main unit, E= Extension unit

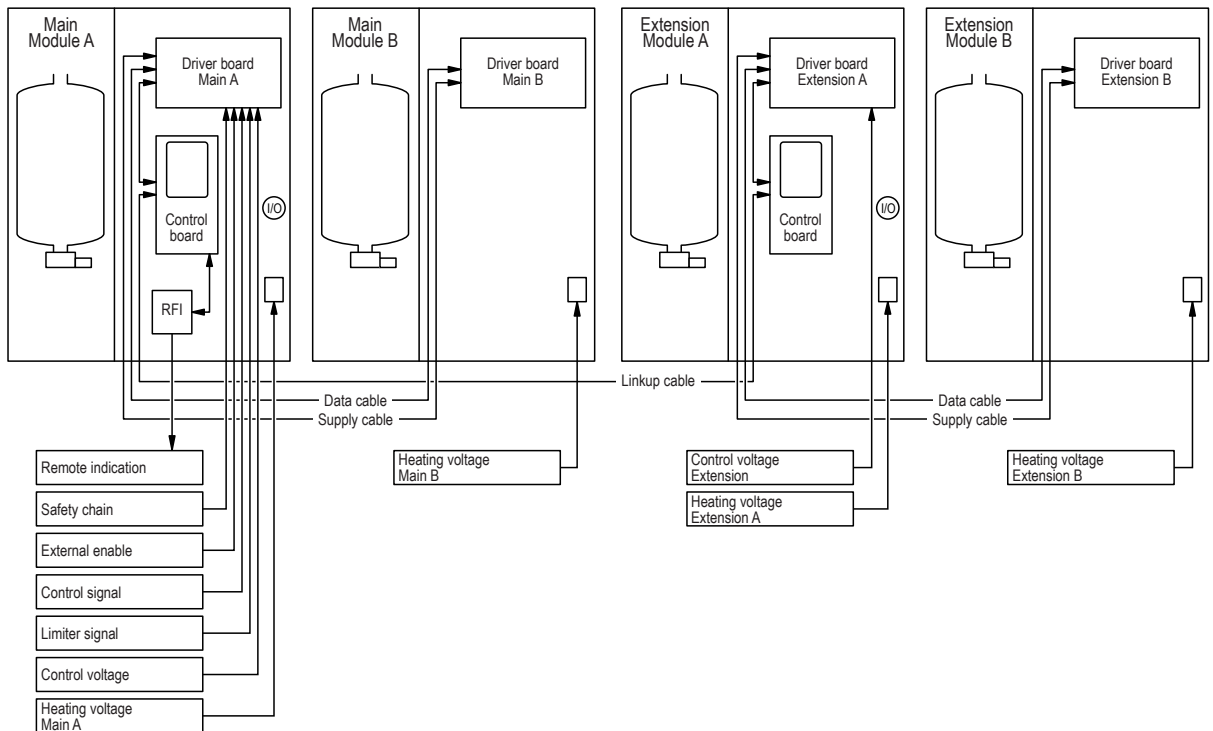
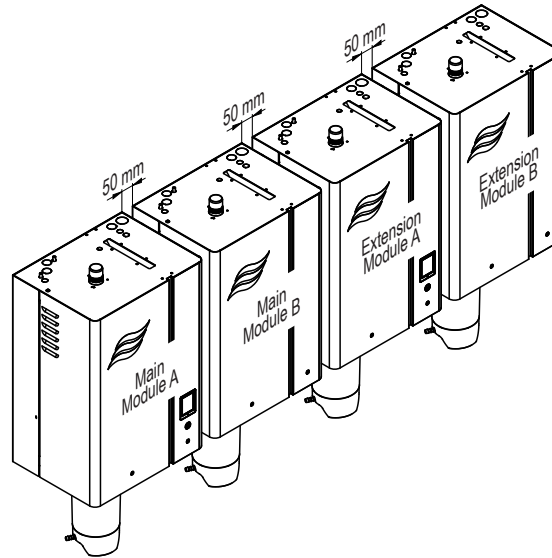


Fig. 5: Overview Linkup systems (4 x "M")

3.2 Product designation

The identification of the unit is found on the specification label.

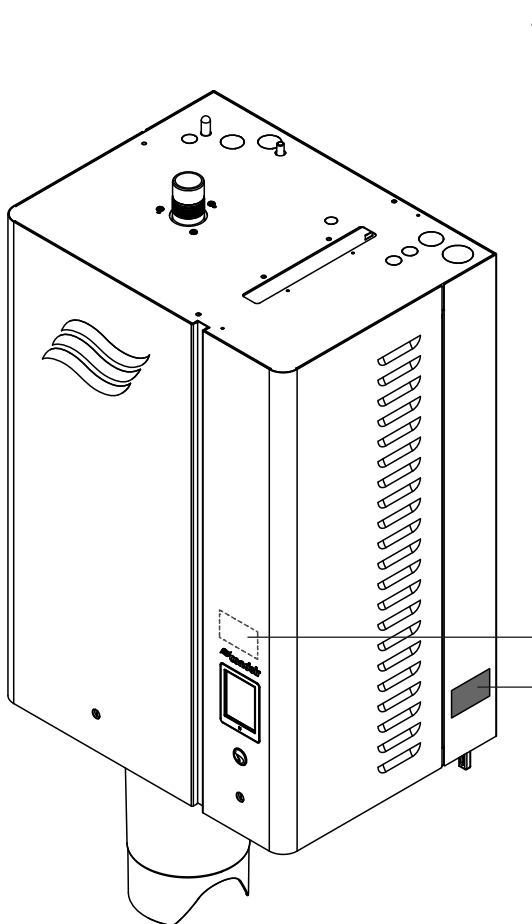
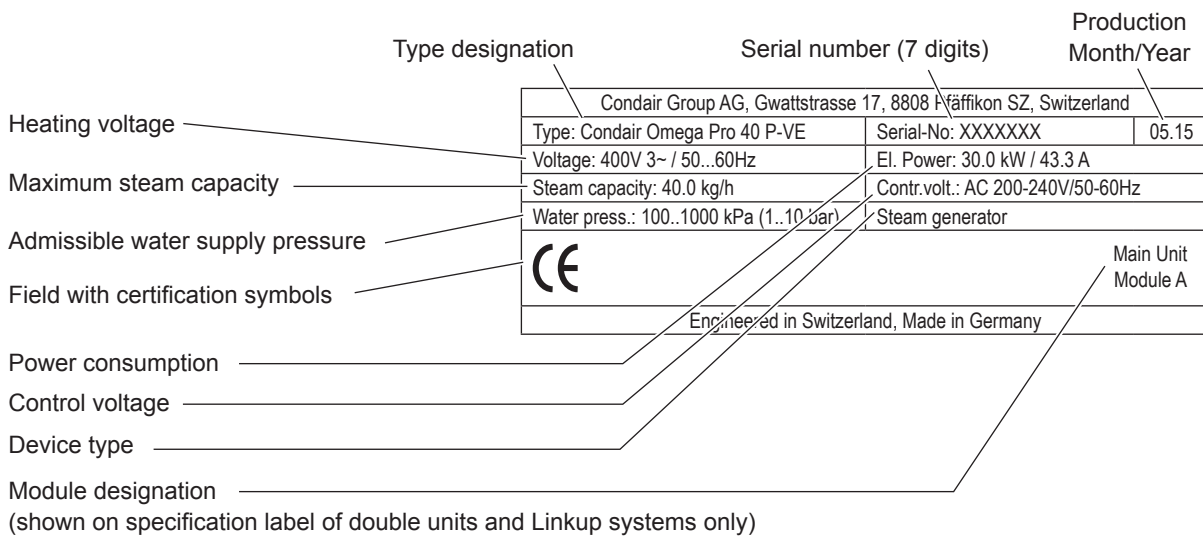


Fig. 6: Location of the specification label

Key model designation

Example:

Condair Omega Pro 50 L 400V/3~ VE

Product designation _____

Unit model: _____

Housing size: _____

L: large housing

Heating voltage: _____

230V/1~/50...60Hz: **230V/1~**

200V/3~/50...60Hz: **200V/3~**

230V/3~/50...60Hz: **230V/3~**

380V/3~/50...60Hz: **380V/3~**

400V/3~/50...60Hz: **400V/3~**

415V/3~/50...60Hz: **415V/3~**

440V/3~/50...60Hz: **440V/3~**

460V/3~/50...60Hz: **460V/3~**

480V/3~/50...60Hz: **480V/3~**

500V/3~/50...60Hz: **500V/3~**

600V/3~/50...60Hz: **600V/3~**

Control accuracy: _____

P: high control accuracy

Water management:

VE: without lime collector tank for water from a reverse osmosis system or de-ionized water

3.3 Options

Condair Omega Pro						
Housing size						
Voltage	Small (S)	Medium (M)	Double (2xM)	Large (L)	Linkup (3xM)	Linkup (4xM)
230V/1~	5...10	—	—	—	—	—
200V/3~	—	16...30	40...60	—	—	—
230V/3~	5...10	16...30	40...60	—	—	—
380V/3~	5...10	16...40	50...80	—	—	—
400...415V/3~	5...10	16...40	50...80	50...80	100...120	140...160
440...600V/3~	10	16/20/30/40	50...80	—	—	—
Remote operating and fault indication PCB with relay contacts for the connection of remote displays for "Operation", "Steam", "Fault" and "Service".	1xRFI			2xRFI		
Pressure compensation kit Assembly kit for the installation of the filling cup on the equipment cover, for the operation of the steam generator in installations with increased back pressure in the steam line up to 10'000 Pa.	1xOVP	2xOVP		3xOVP	4xOVP	
Transformer for internal control voltage supply (for 400...500 V mains supplies without neutral conductor) Kit including terminal strip and transformer to provide control voltage supply for sites with 3 phase single voltage supply without neutral conductor. Only available for supply voltages 400...500 V/3~/50...60 Hz.	1xTR-S (Omega Pro 5 ... 20) 1xTR-M (Omega Pro 24 ... 40)	1xTR-S (Omega Pro 50) or 1xTR-M (Omega Pro 60/ Omega Pro 80)	1xTR-L ¹⁾	2xTR-M		
CVI for internal control voltage supply (for 400...415 V mains supplies with neutral conductor) Terminal strip kit to provide control voltage supply for sites with 3 phase single voltage supply with neutral conductor. Only available for supply voltages 400...415 V/3~N/50...60 Hz.	1xCVI-S (Omega Pro 5 ... 20) 1xCVI-M (Omega Pro 24 ... 40)	1xCVI-S (Omega Pro 50) or 1xCVI-M (Omega Pro 60/ Omega Pro 80)	1xCVI-L ¹⁾	2xCVI-M		
Connection terminals ³⁾ Separate terminals for systems where direct connection of heating voltage to main contactor (standard version) is not permitted by local regulations. Note: As standard "L" units are equipped with a TC terminal block for a single heating voltage supply line.	1xTHV-S (Omega Pro 5 ... 20) 1xTHV-M (Omega Pro 24 ... 40)	1xTHV-S + 1xTHV-M (Omega Pro 50) or 2xTHV-M (Omega Pro 60/ Omega Pro 80)	1xTHV-L ²⁾	3xTHV-M	4xTHV-M	
Mounting rail Mounting rail for mounting the Condair Omega Pro to a wall or the mounting rack basic.	1xMP-S	1xMP-M	2xMP-M	1xMP-L	3xMP-M	4xMP-M
LonWorks board Supplementary board to connect the Condair Omega Pro to a building management system via LonWorks.	1xLW					

Condair Omega Pro						
Voltage	Housing size					
	Small (S)	Medium (M)	Double (2xM)	Large (L)	Linkup (3xM)	Linkup (4xM)
230V/1~	5...10	—	—	—	—	—
200V/3~	—	16...30	40...60	—	—	—
230V/3~	5...10	16...30	40...60	—	—	—
380V/3~	5...10	16...40	50...80	—	—	—
400...415V/3~	5...10	16...40	50...80	50...80	100...120	140...160
440...600V/3~	10	16/20/30/40	50...80	—	—	—
Set of cable glands Set with cable glands for the control compartment of the Condair Omega Pro.	1xCG		2xCG	1xCG	3xCG	4xCG
Total drain valve Set including solenoid drain valve and hose for automatic draining of the lime collector tank.	1xSV		2xSV		3xSV	4xSV
Insulation jacket for steam cylinder	1xIC-S	1xIC-M	2xIC-M		3xIC-M	4xIC-M
Drain water cooling set Set including special inlet valve, hose and support for drain water cooling.	1xDWC-S	1xDWC-M	2xDWC-M		3xDWC-M	4xDWC-M

- ¹⁾ For "L" units only possible if they are connected with two separate heating voltage supply lines (via option THV-L).
- ²⁾ Optional terminal block for connecting two separate heating voltage supply lines.
- ³⁾ THV option - with 200V/3~ und 230V/3~ units, the THV option is installed as standard.

3.4 Accessories

		Condair Omega Pro					
		Housing size					
Voltage	Small (S)	Medium (M)	Double (2xM)	Large (L)	Linkup (3xM)	Linkup (4xM)	
230V/1~	5...10	—	—	—	—	—	
200V/3~	—	16...30	40...60	—	—	—	
230V/3~	5...10	16...30	40...60	—	—	—	
380V/3~	5...10	16...40	50...80	—	—	—	
400...415V/3~	5...10	16...40	50...80	50...80	100...120	140...160	
440...600V/3~	10	16/20/30/40	50...80	—	—	—	
Blower pack Blower pack for direct room humidification. The blower pack can be mounted either directly onto the Condair Omega Pro or separated from the steam generator to the wall.	1xBP	2xBP		3xBP	4xBP		
Pure water system Condair RO-A Pure water system for operating the Condair Omega Pro with RO water.	1xRO-A40	RO-A40 <small>(Omega Pro 40)</small> RO-A100 <small>(Omega Pro 50 - Omega Pro 80)</small>	RO-A100	RO-A100 <small>(Omega Pro 100)</small> RO-A200 <small>(Omega Pro 100)</small>	RO-A200		
Steam hose (ø57/45 mm) / meter	1xDS80	2xDS80		3xDS80	4xDS80		
Condensate hose (ø12/8 mm) / meter	1xKS10	2xKS10		3xKS10	4xKS10		
Filter valve Filter valve for the installation in the water supply line.	1xZ261	2xZ261		3xZ261	4xZ261		
Mounting rack basic Mounting rack for Condair Omega Pro.	1xMR-B	2xMR-B	—	3xMR-B	4xMR-B		
Height extension profiles for mounting rack basic Height extension profiles for mounting rack.	1xMR-E	2xMR-E	—	3xMR-E	4xMR-E		
Screw feet for mounting rack basic Screw feet for levelling the mounting rack.	1xMR-A	2xMR-A	—	3xMR-A	4xMR-A		
Humidity sensor - Room	CRC						
Humidity controller with sensor - Room	RCC						
Humidistat - Room	CHR						

4 Receiving and storage

4.1 Inspection

After receiving:

- Inspect shipping boxes for damage.
Any damages of the shipping boxes must be reported to the shipping company without delay.
- Check packing slip to ensure all parts has been delivered.
All material shortages are to be reported to your Condair supplier within 48 hours after receipt of the goods. Condair Group AG assumes no responsibility for any material shortages beyond this period.
The standard delivery includes:
 - Condair Omega Pro steam generator equipped with the options ordered according [chapter 3.3](#), packed in cardboard box with:
 - Fastening set
 - Installation manual (this document), operation manual and spare parts list
 - Water drain hose with hose clamp
 - Supply cable between Module A to Module B (for double units and Linkup systems only)
 - Data cable between Module A to Module B (for double units and Linkup systems only)
 - Linkup cable between "Main A" and "Extensioin"A" (for Linkup systems only)
Note: the supply cable, the data cable and the Linkup cable are supplied in the box of main unit A.
 - Ordered accessories with manual according [chapter 3.4](#), packed separately.
- Unpack the parts/components and check for any damage.
If parts/components are damaged, notify the shipping company immediately.
- Check whether the components are suitable for installation on your site according to the unit data stated on the specification label.

4.2 Storage and Transportation

Storing

Until installation store the Condair Omega Pro in its original packaging in a protected area meeting the following requirements:

- Room temperature: 5 ... 40 °C
- Room humidity: 10 ... 75 %rh

Transportation

For optimum protection always transport the unit and components in their original packaging and use appropriate lifting/transporting devices.



WARNING!

It is the customer's responsibility to ensure that operators are trained in handling heavy goods and that the operators comply with the appropriate regulations on work safety and the prevention of accidents.

Packaging

Keep the original packaging of the components for later use.

In case you wish to dispose of the packaging, observe the local regulations on waste disposal. Please recycle packaging where possible.

5 Mounting and installation work

5.1 Safety notes on mounting and installation work

Qualification of personnel

All mounting and installation work must be carried out only by **well qualified personnel authorised by the owner**. It is the owner's responsibility to verify proper qualification of the personnel.

General notes

Strictly observe and comply with all information given in the present installation manual regarding the mounting of the unit and the installation of water, steam and electricity.

Observe and comply with all local regulations dealing with water, steam and electrical installations.

Safety

Some installation work requires removal of the unit covers. Please note the following:



DANGER!
Danger of electric shock!

The Condair Omega Pro is mains powered. Live parts may be exposed when the unit is open. Touching live parts may cause severe injury or danger to life.

Prevention: The Condair Omega Pro must be connected to the mains only after all mounting and installation work has been completed, all installations have been checked for correct workmanship and the unit is closed and properly locked.



CAUTION!

The electronic components inside the steam generator are very sensitive to electrostatic discharge.

Prevention: To protect these components against damage caused by electrostatic discharge (ESD protection) appropriate measures must be taken when the unit is open for installation work.

5.2 Installation overviews

Typical installation for SPA cabin humidification

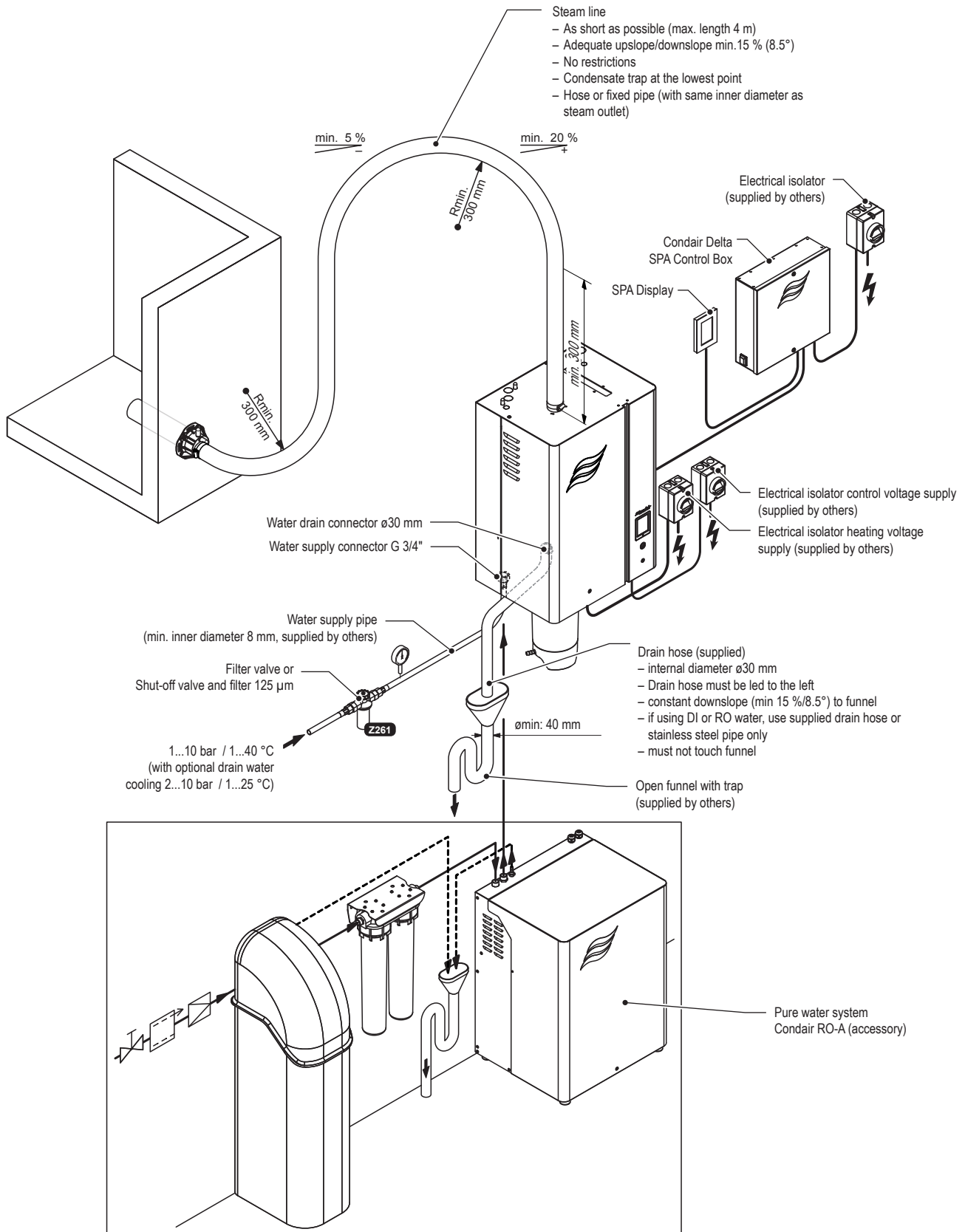


Fig. 7: Typical installation for SPA cabin humidification

Typical installation for room humidification

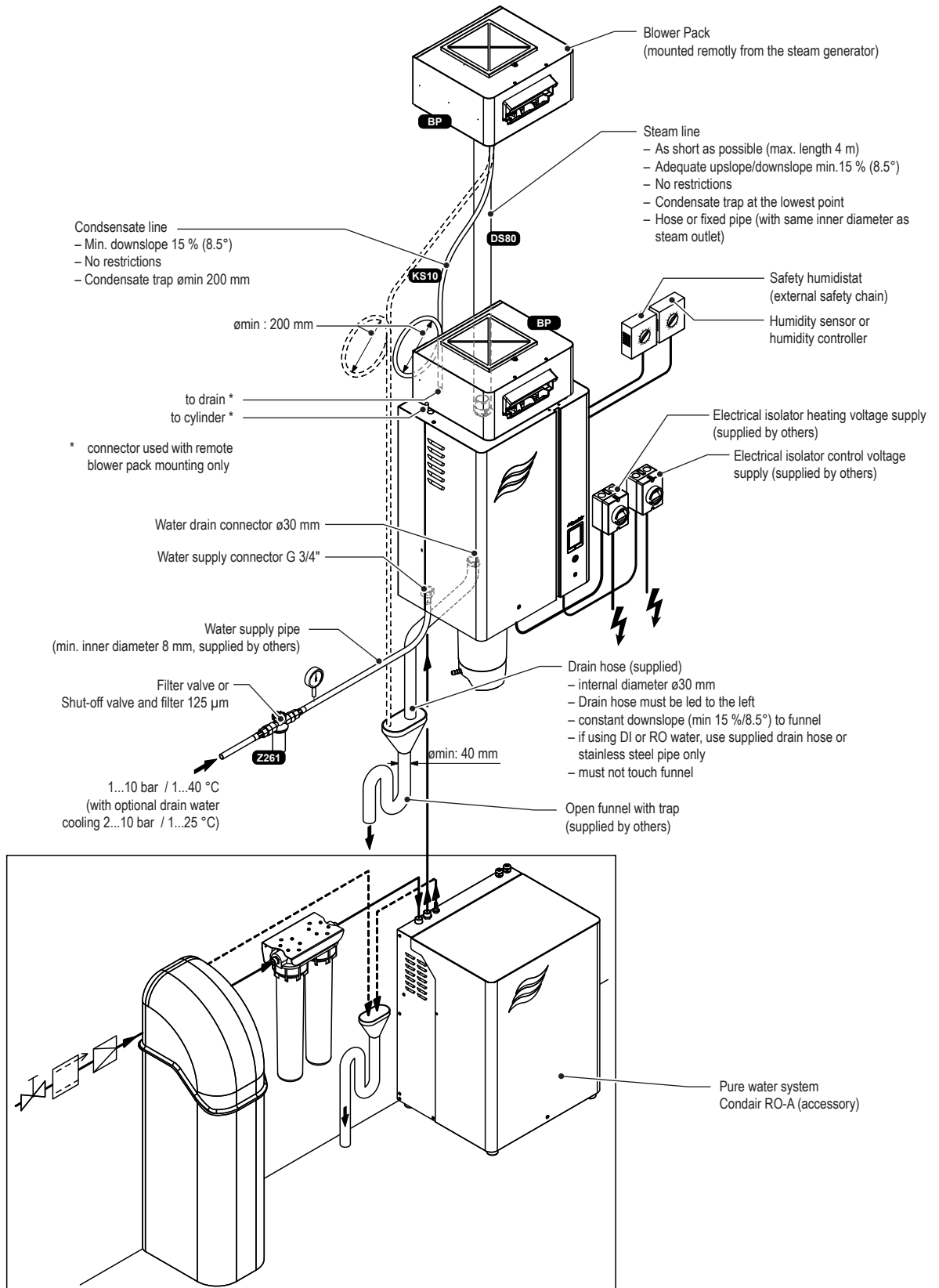


Fig. 8: Typical installation for room humidification

5.3 Mounting the unit

5.3.1 Notes on locating the unit

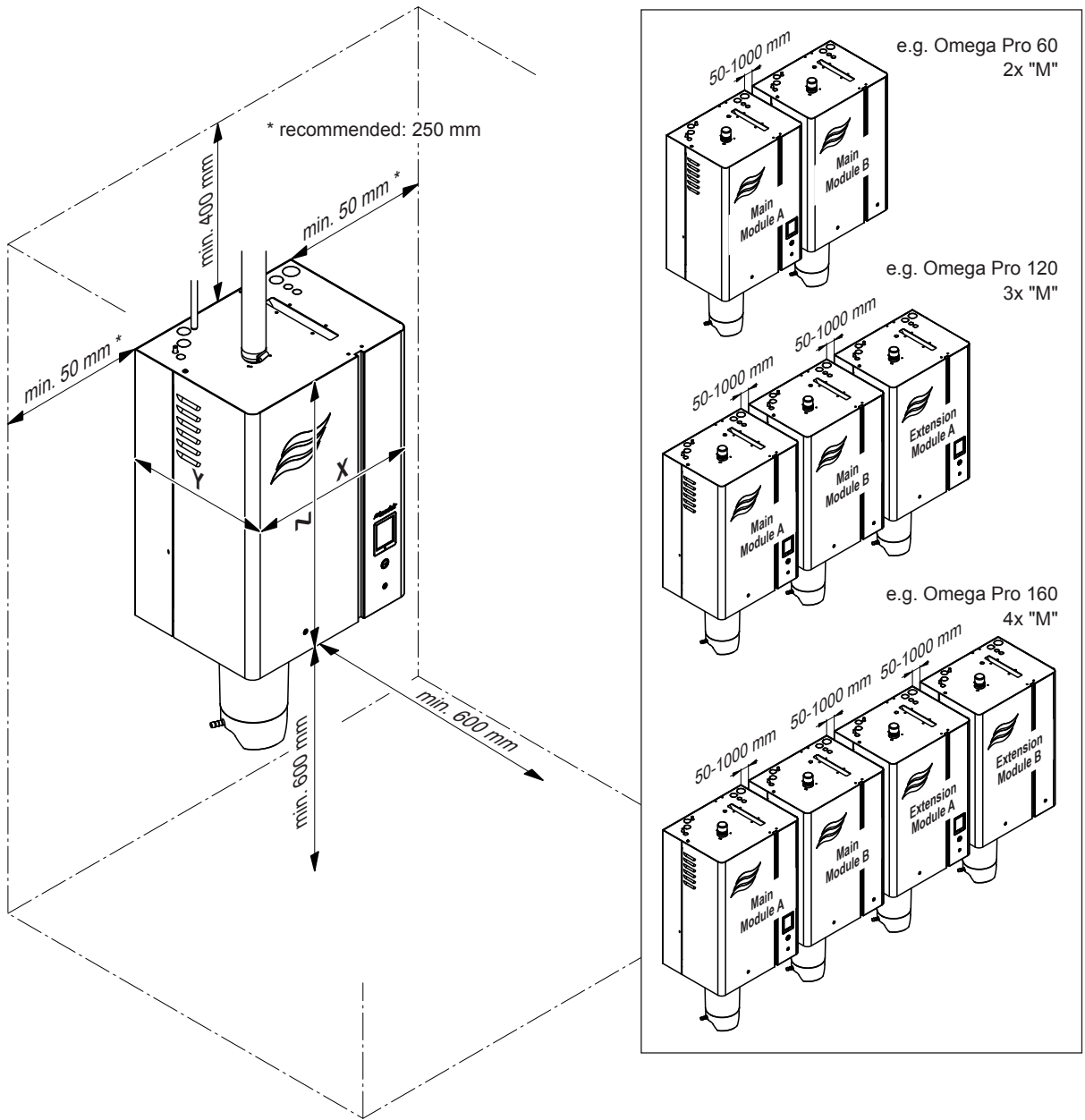


Fig. 9: Distances to be observed

Housing		Small ("S") Omega Pro 5...10	Medium ("M") Omega Pro 16...40 2x, 3x or 4x "M" Omega Pro 40...160	Large ("L") Omega Pro 50...80
		Housing dimensions in mm	X	420
	Y	370	406	406
	Z	670	780	780
Netweight in kg		27,2	40,3	81,0
Operating weight in kg		40,2	65,8	132,0

The installation site of the Condair Omega Pro depends largely on the location of the steam distributor. To **ensure proper functioning** of the steam generator and to **obtain an optimal efficiency**, the following points must be considered and observed when choosing the location for the steam generator:

- Install the steam generator so that:
 - the **length of the steam** line is kept as short as possible (**max. 4 m**),
 - the **minimum bend radius for steam hoses (R= 300 mm)** and for **solid steam pipes (5 x internal diameter)** and the minimum **upslope** and **downslope (min. 15 %/8.5°)** of the steam lines is maintained (see [chapter 5.4.4](#)).
- The Condair Omega Pro is designed for wall-mounting in protected interiors. Make sure that the construction (wall, pillar, floor-mounted console, etc.) to which the steam generator is to be mounted, offers a **sufficiently high load-bearing capacity** (take notice of the weight information found in the dimensions and weights table), and is suitable for the installation.
- The back panel of the Condair Omega Pro retains heat during operation (max. surface temperature of the metal housing approx. 60 - 70 °C). Make sure, therefore, that the construction (wall, pillar, etc.) to which the unit is to be mounted, does not consist of heat-sensitive material.
- Install the Condair Omega Pro in such a manner that it is **freely accessible** with sufficient space available for maintenance purposes. The **minimum distances** shown in [Fig. 9](#) **must be maintained**.
- In order to use the cables supplied with double units and Linkup systems, the individual units must be mounted side by side on the same height, with a maximum distance between the units of min. 50 mm to max. 1000 mm and in the order shown in [Fig. 9](#).
- The Condair Omega Pro is protected according to **IP21**. Make sure the unit is installed in a drip-proof location and the admissible ambient conditions are complied with.
- Do **not** mount the Condair Omega Pro to hot or very cold walls or near vibrating components.
- The steam generator Condair Omega Pro must only be installed in rooms with a floor drain.



CAUTION!

If for some reason the Condair Omega Pro must be installed in a location without floor drain, it is mandatory to provide a leakage monitoring device to safely interrupt the water supply in case of leakage.

- When mounting the Condair Omega Pro use **only the mounting materials supplied with the unit**. If mounting with the materials supplied is not possible in your particular case, select a method of mounting that is of similar stability.
- The Condair Omega Pro is designed for installation and operation within buildings (admissible temperature range 5...40 °C). For outdoor operation the Condair Omega Pro must be placed in a weather protective housing. If ambient temperatures near or below the freezing point have to be expected, the protective housing must be equipped with a thermostat controlled heating of sufficient capacity. The water supply pipe must be equipped with a trace-heating and must be insulated up to the protective housing. The installation of a normally open valve inside the building envelope that will drain water in case of power failure is highly recommended

5.3.2 Mounting the steam generator

5.3.2.1 Standard mounting

Overview standard mounting single units Small and Medium

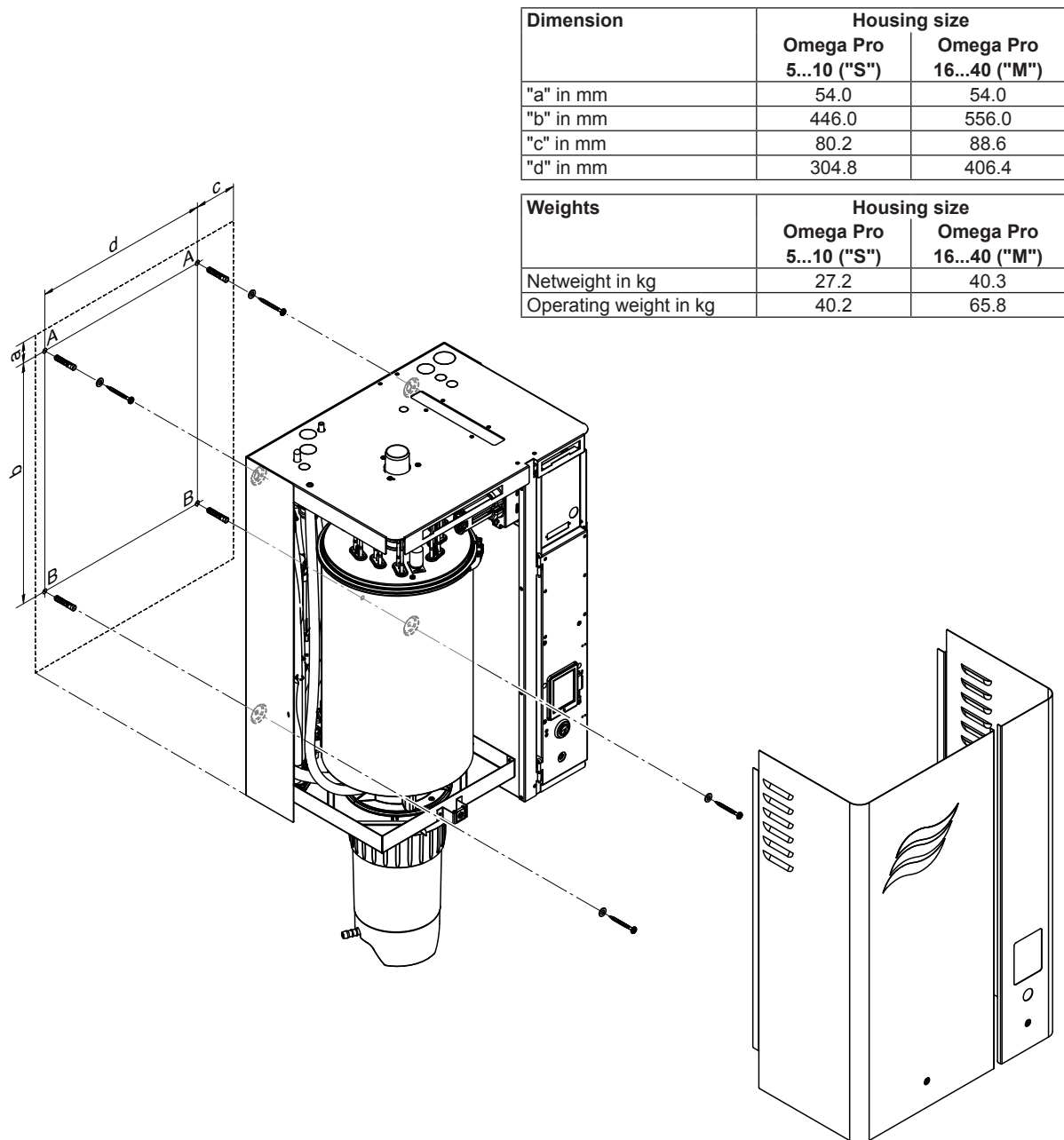


Fig. 10: Overview standard mounting single units Small and Medium

Overview standard mounting single units Large

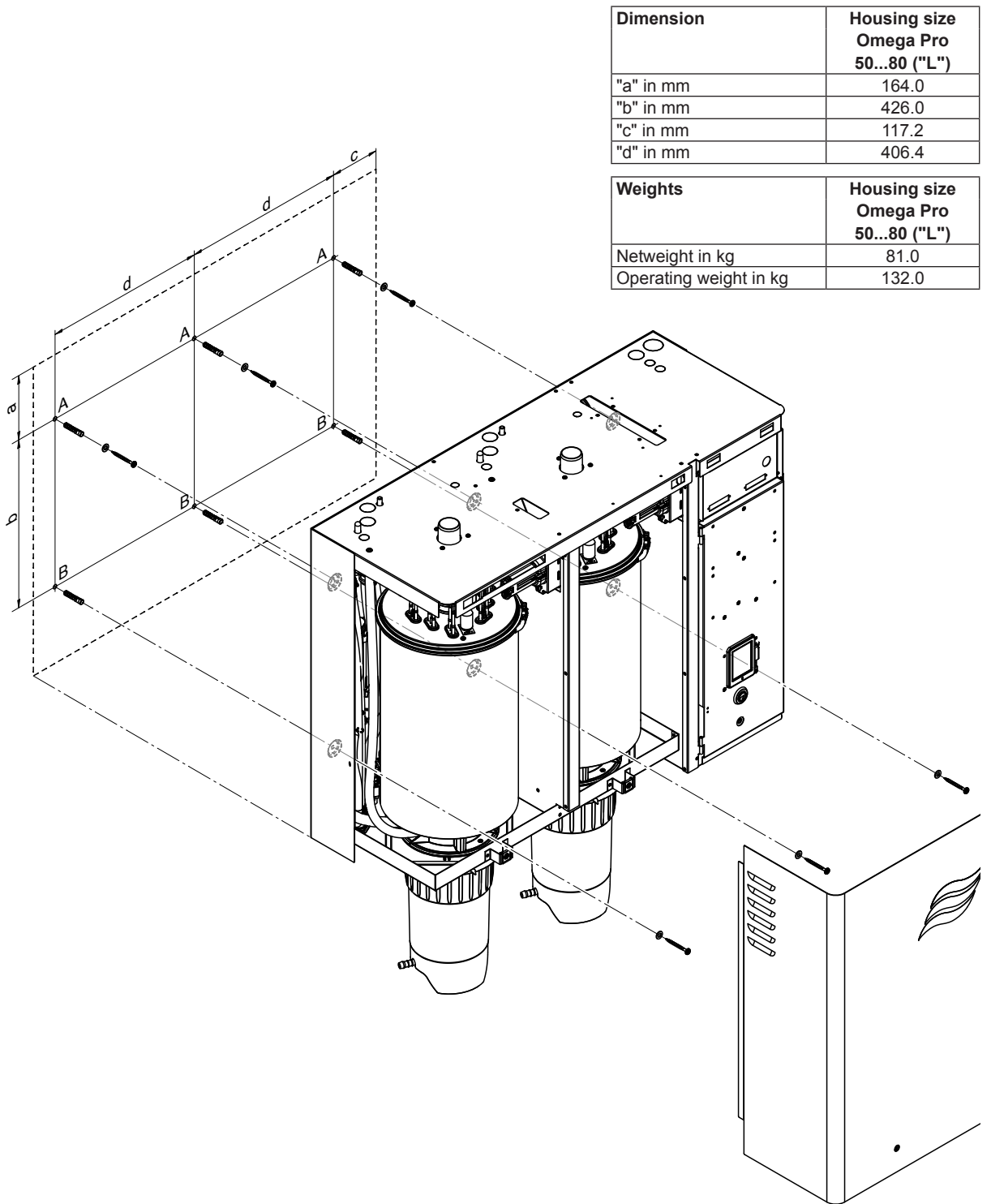


Fig. 11: Overview standard mounting single units Large

Mounting procedure standard mounting

1. Mark the attachment points "A" and "B" at the desired position with the help of a level. Then, drill holes diameter: 10 mm, depth: 50 mm.
2. Insert the supplied plastic plugs, and screw in supplied screws into the dowels of the attachment points "A" until the distance between the wall and the screw head is 5 mm.
3. Unlock the screws of the front panels of the unit, then remove the front panels.
4. Hang up the unit onto the screws installed before.
5. Screw the supplied screws through the rear wall of the housing into the dowels of of the attachment points "B".
6. Align unit with the help of a level, then tighten the screws.
7. Reattach the front panels and secure with the screws.

5.3.2.2 Rail mounting (option)

Overview rail mounting single units Small and Medium

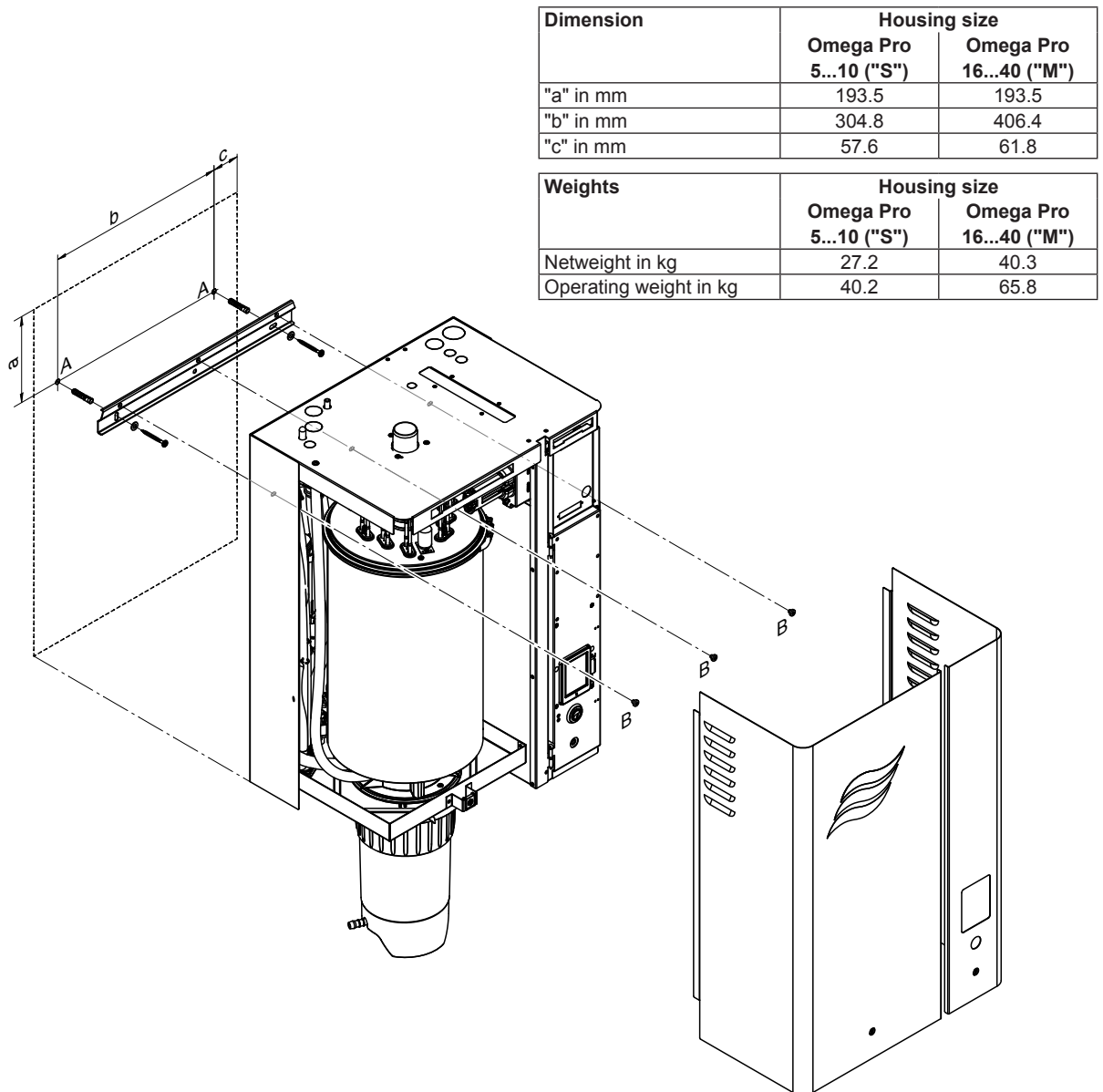


Fig. 12: Overview rail mounting single units Small and Medium

Overview rail mounting single units Large

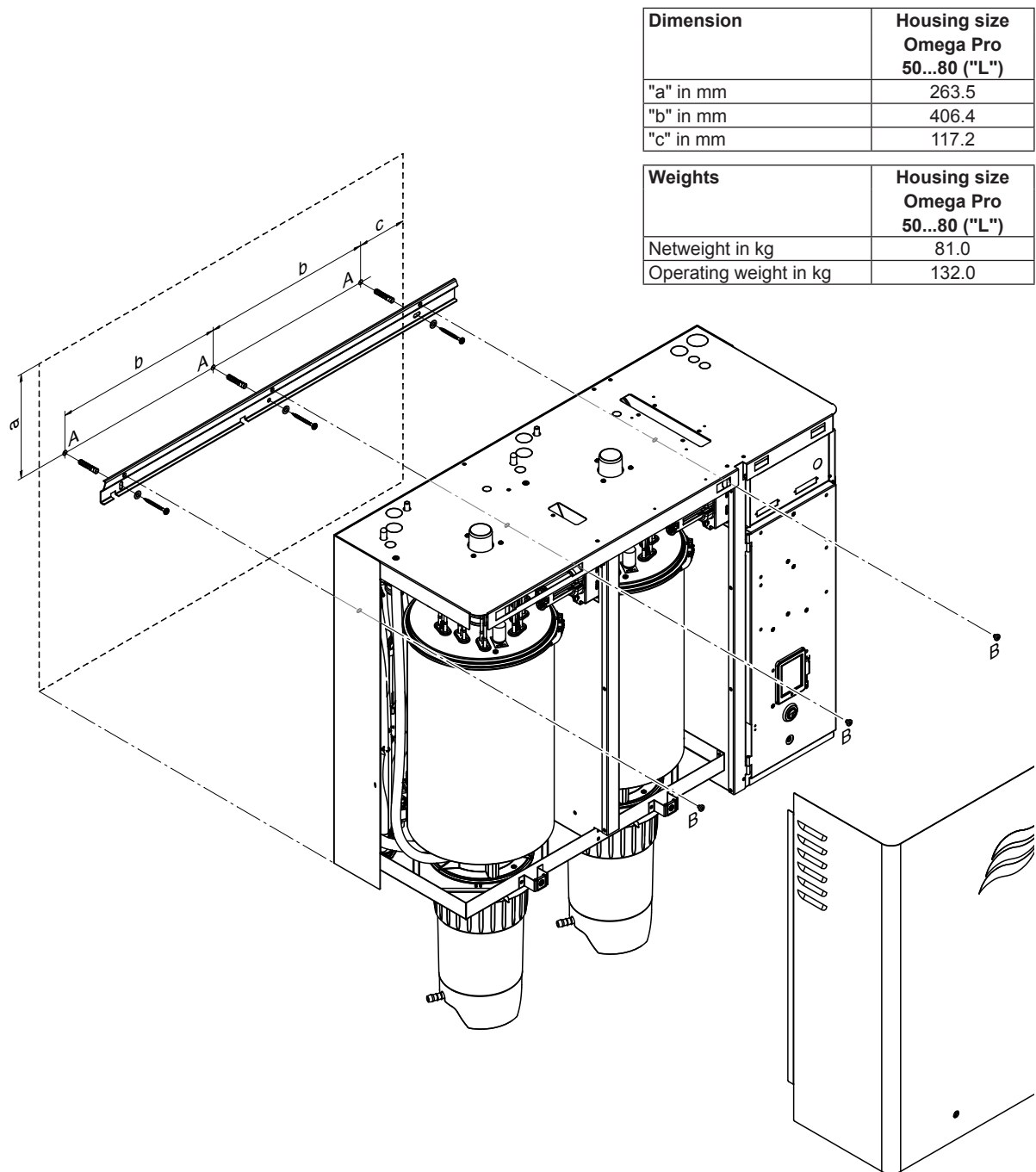


Fig. 13: Overview rail mounting single units Large

Procedure

1. Mark the attachment points "A" for the mounting rail at the desired position with the help of a spirit level. Then, drill holes diameter: 10 mm, depth: 50 mm.
2. Insert the supplied plastic plugs, and fix the mounting rail to the wall with the screws and washers supplied. Before tightening the screws adjust mounting rail horizontally using a spirit level.
3. Unlock the screw of the front panels, then remove the front panels.
4. Hang up the unit onto the mounting rail. Then, fix the unit to the mounting rail using the supplied screws "B".
5. Reattach the front panels and secure it with the screws.

5.3.3 Inspecting the installed unit

Check the following points:

- Is the unit installed in the correct place (see [chapter 5.3.1](#))?
- Is the supporting surface stable enough?
- Is the unit correctly aligned, vertically and horizontally?
- Is the unit properly secured (see [chapter 5.3.2](#))?

5.4 Steam installation

5.4.1 Overviews steam installation

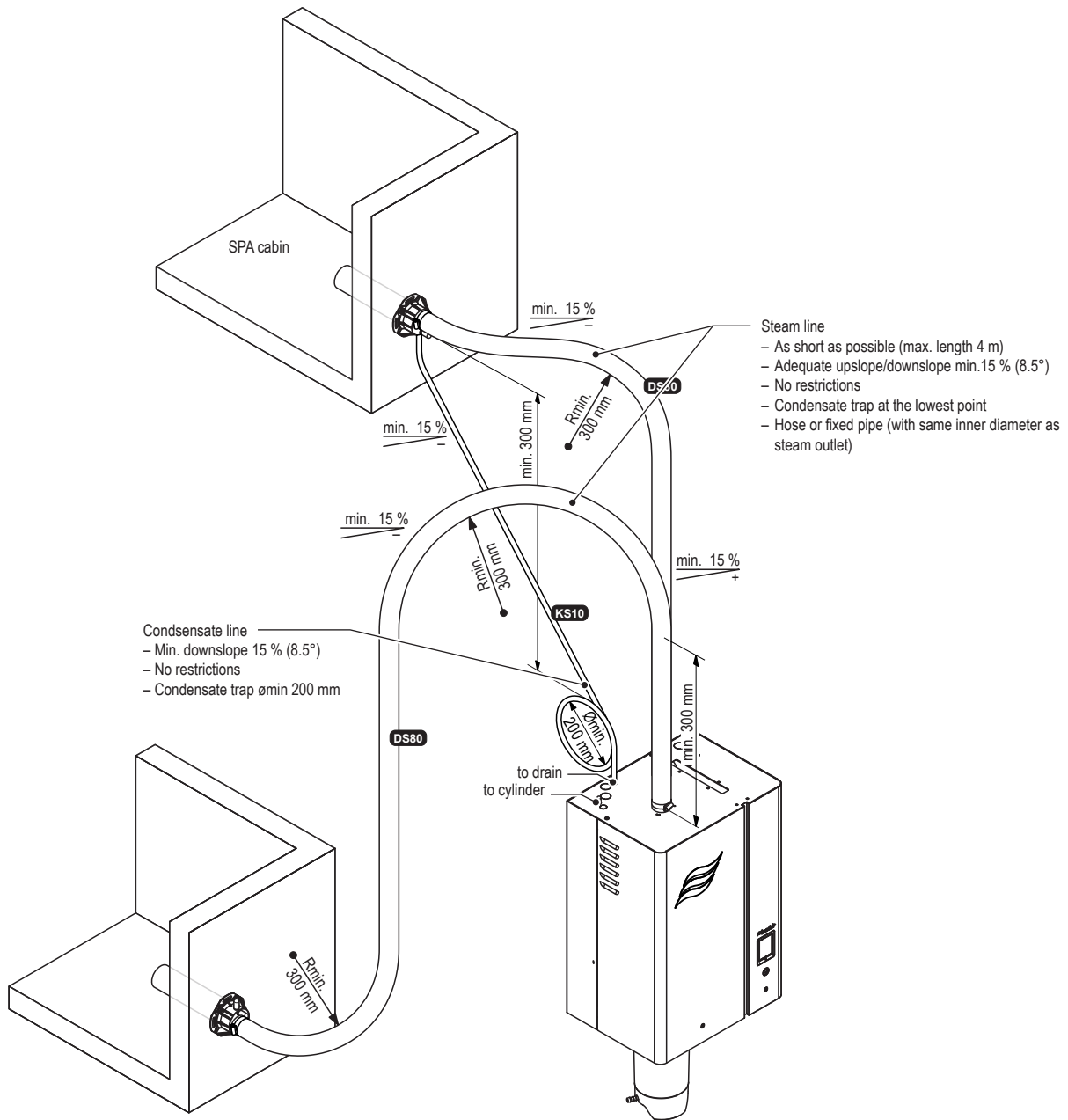


Fig. 14: Overview steam installation for SPA cabin humidification

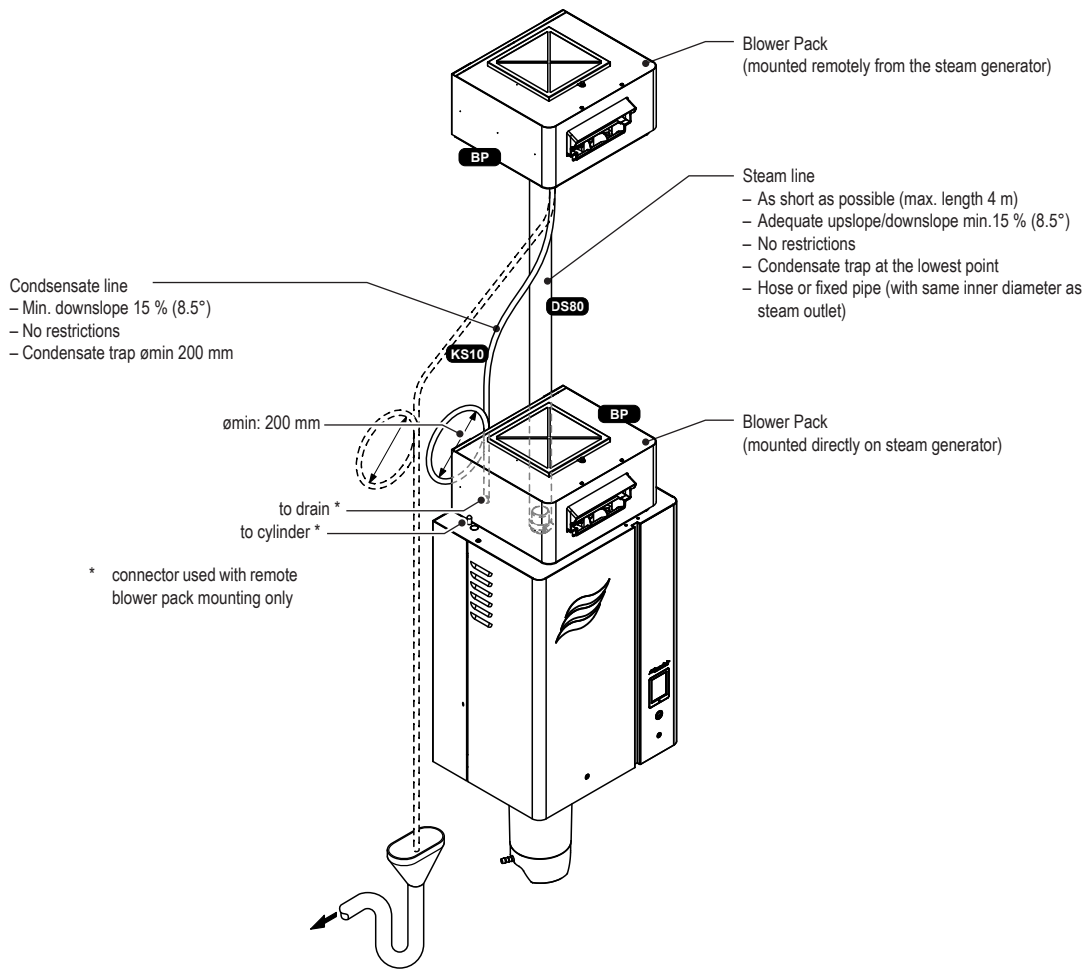


Fig. 15: Overview steam for room humidification

5.4.2 Positioning/mounting the steam distributor

It's the responsibility of the customer to correctly position the steam distributor in the steam bath cabin.



WARNING!

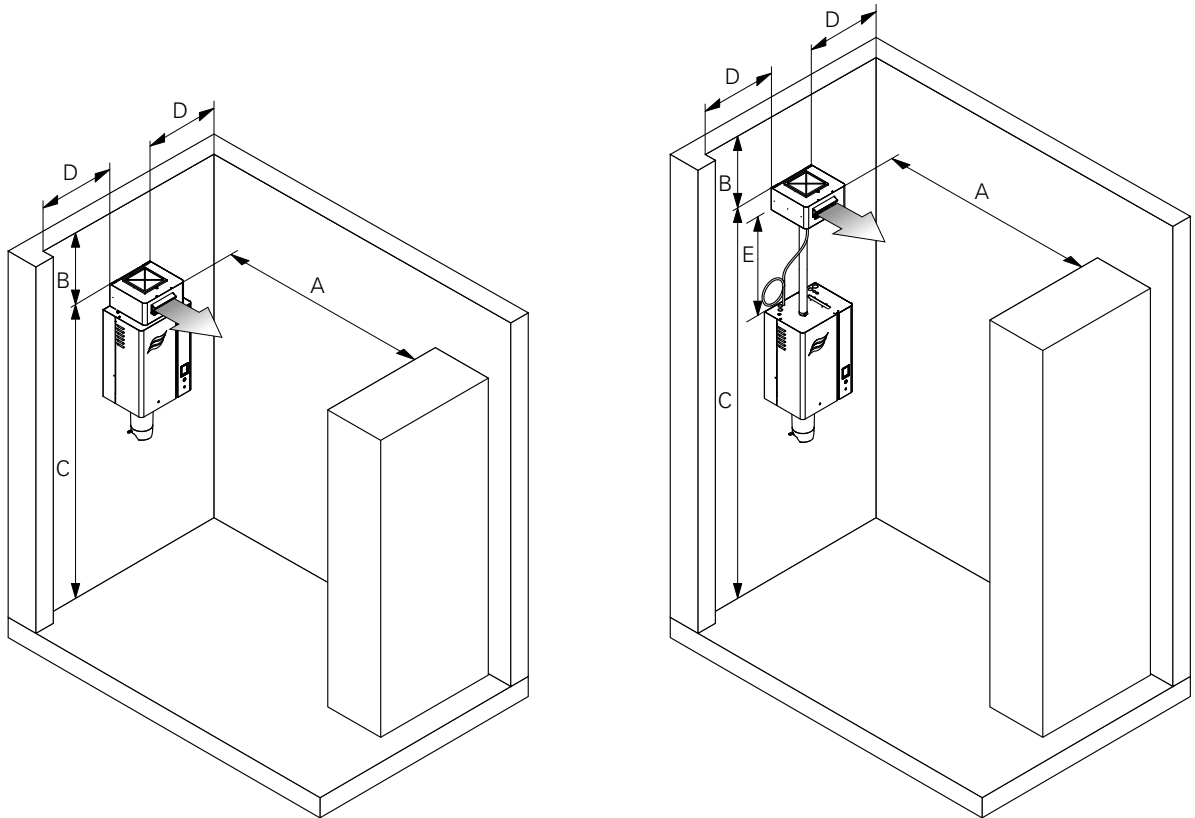
Hot water vapour - Danger of scalding!

Shield the steam outlet of the steam distributor with corresponding measures to make sure steam bath users can not be burned by the steam flow.

Important: The ambient pressure at the installation site of the Condair Omega Pro and at the installation site of the steam distributor must be the equal.

5.4.3 Positioning and mounting of the blower packs (accessory BP)

The blower packs can either be mounted directly on the steam generator or remotely above the steam generator to the wall. To allow the steam coming from the blower pack to spread out evenly, without condensing on obstacles (ceilings, joists, pillars, etc.), the following minimum dimensions must be observed when selecting the location for the blower pack.



Steam capacity steam generator	kg/h	Fan speed: low				Fan speed: high			
		5...10	>10...20	>20...30	>30...40	5...10	>10...20	>20...30	>30...40
A min.	m	2.5	5.5	8.0	9.5	2.0	3.0	4.5	6.5
B min.	m	0.5	0.5	0.5	1.5	0.5	0.5	0.5	1.0
C min.	m	2.2							
D min.	m	0.5							
E min.	m	1.0							
E max.	m	4.0 (recommended: 2.0)							

Note: The minimum spaces in the table apply for a room atmosphere of 15 °C and 60 %rh. For lower temperatures and/or higher humidity the values should be adjusted accordingly.

Note: In order to achieve a uniform distribution of the humidity within the room, additional factors such as the room size, the room height, etc., must be taken into consideration besides observing the minimum distances for the blower packs. If you have questions concerning the direct room humidification, please contact your Condair representative.

Further information is provided in the separate installation and operating instructions for the corresponding blower pack.

5.4.4 Installing the steam and condensate lines

Installations notes

- Use **original steam and condensate hose** from your Condair representative or **solid steam pipes from copper or stainless steel (min. DIN 1.4301) exclusively**. Steam and condensate lines from other material may cause undesired operational malfunctions.
- Initially, lead the steam line **upright upwards min. 300 mm above the steam generator**. Then lead the steam line with a **minimum upslope** and/or a **minimum downslope of 15 %/8.5°** to the steam distributor.
- The condensate hose from the steam distributor is led down to the steam generator with a **minimum downslope of 15 %/8.5°**, via a condensate trap (**min. hose bend diameter Ø200 mm**) and there it is to be connected to the appropriate connector on top of the unit (left connector= condensate flows back into the steam tank (not recommended), right connector= condensate flows into the drain). Alternatively the condensate hose can be led also directly into an open funnel.
Important! Before putting the unit into operation, the condensate trap of the condensate hose must be filled with water.
- The steam line should be kept as short as possible (**max. 4 m** while observing the **minimum bend radius of 300 mm** (for steam hoses) or **5 x internal diameter** (with solid steam pipes), respectively). **Important!** Allowance must be made for a **pressure loss of approx. 100 Pa** per meter steam line and per 90° elbow.
- **Important!** When deciding on the length and layout of steam hoses, it should be noted that steam hoses may become shorter and/or longer depending on temperature and age.
- The steam hose must be secured to the steam distributor and steam generator steam outlet by means of **hose clamps**. Solid steam pipes should be connected to the steam distributor and steam generator with short lengths of steam hose secured with hose clamps.
Caution! Do not overtighten the hose clamp on the steam connector of the steam generator.
- Steam lines made of solid pipes (copper or stainless steel) must be insulated over the entire length to minimize condensate formation (=loss).



DANGER!

Reducing the cross section or the complete closure of the steam line will cause an excessive increase in pressure in the steam cylinder when the unit is operating and could lead to the risk of scalding accidents. All installations must comply with the following instructions.

- When installing make sure the steam line is open over the entire length and through the whole cross section. Any sealing plugs, adhesive sealing sheets etc. must be removed before connecting the steam pipe. Reductions in cross section by kinking or crushing must be avoided.
- Steam hoses must be prevented from sagging (condensate pockets); if necessary, support steam hose with pipe clamps, trough, or wall brackets, and install a condensate drain at any low points in the steam line.
- It is **not permitted to install a stop valve** (e.g. a manually controlled stop valve, solenoid valve, etc.) in the steam line, due to an inadmissible increase of pressure in the steam cylinder if the valve is closed during the operation.
Note: If for technical reasons a stop valve is to be installed, the pressure relief valve (available as accessory) must be installed in the steam line between steam cylinder and and stop valve for safety reason.

Installation examples

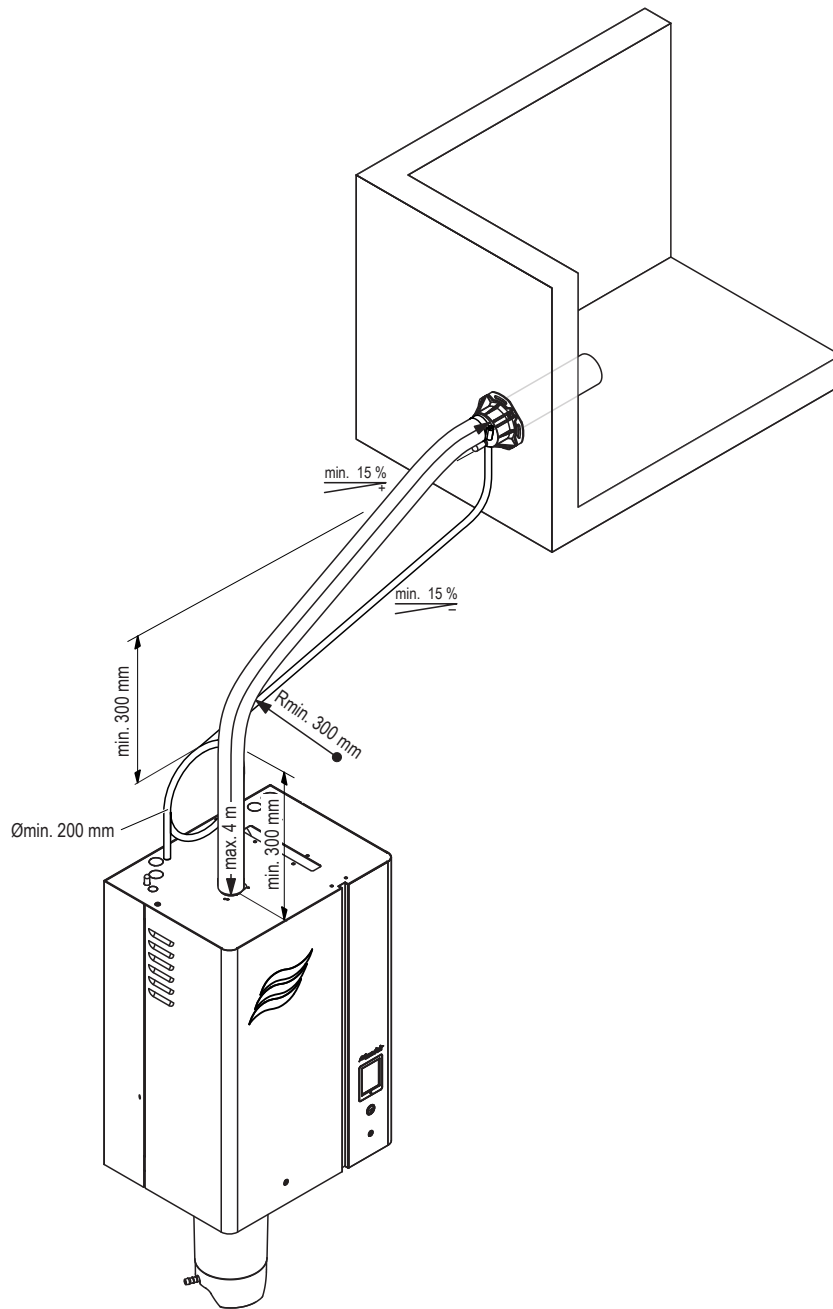


Fig. 16: Steam distributor mounted more than 500 mm above the top edge of the steam generator

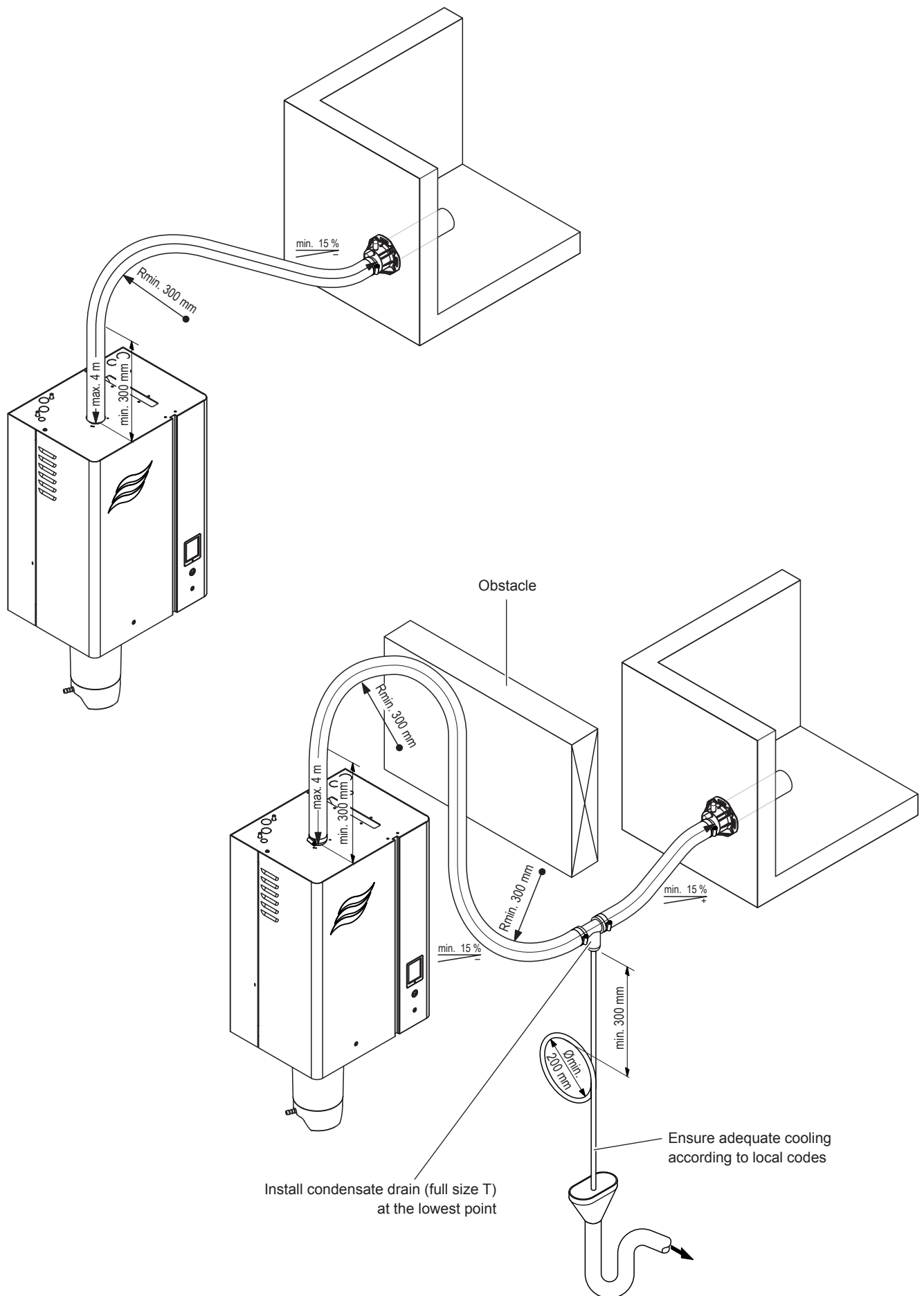


Fig. 17: Steam distributor mounted less than 500 mm above the top edge of the steam generator

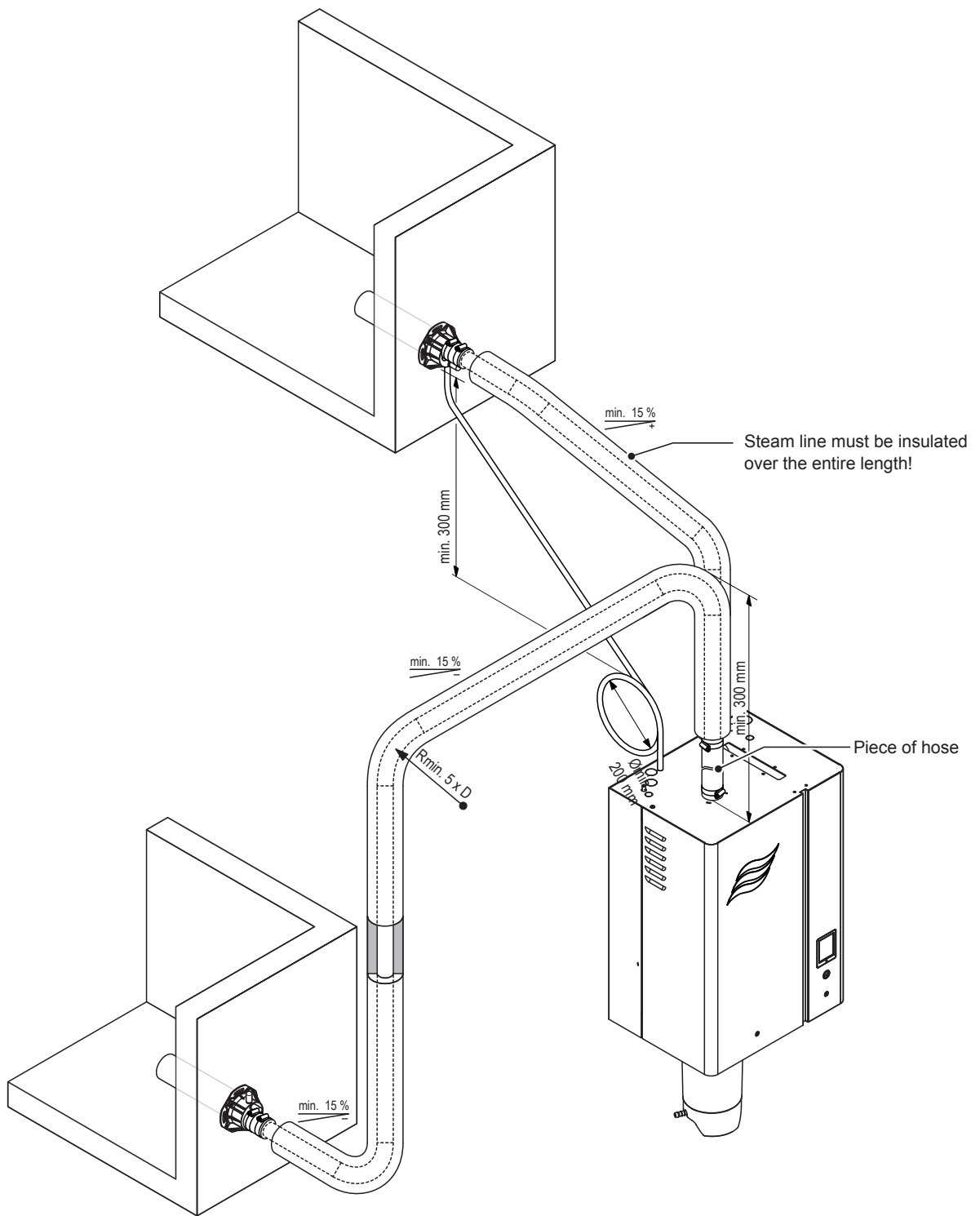


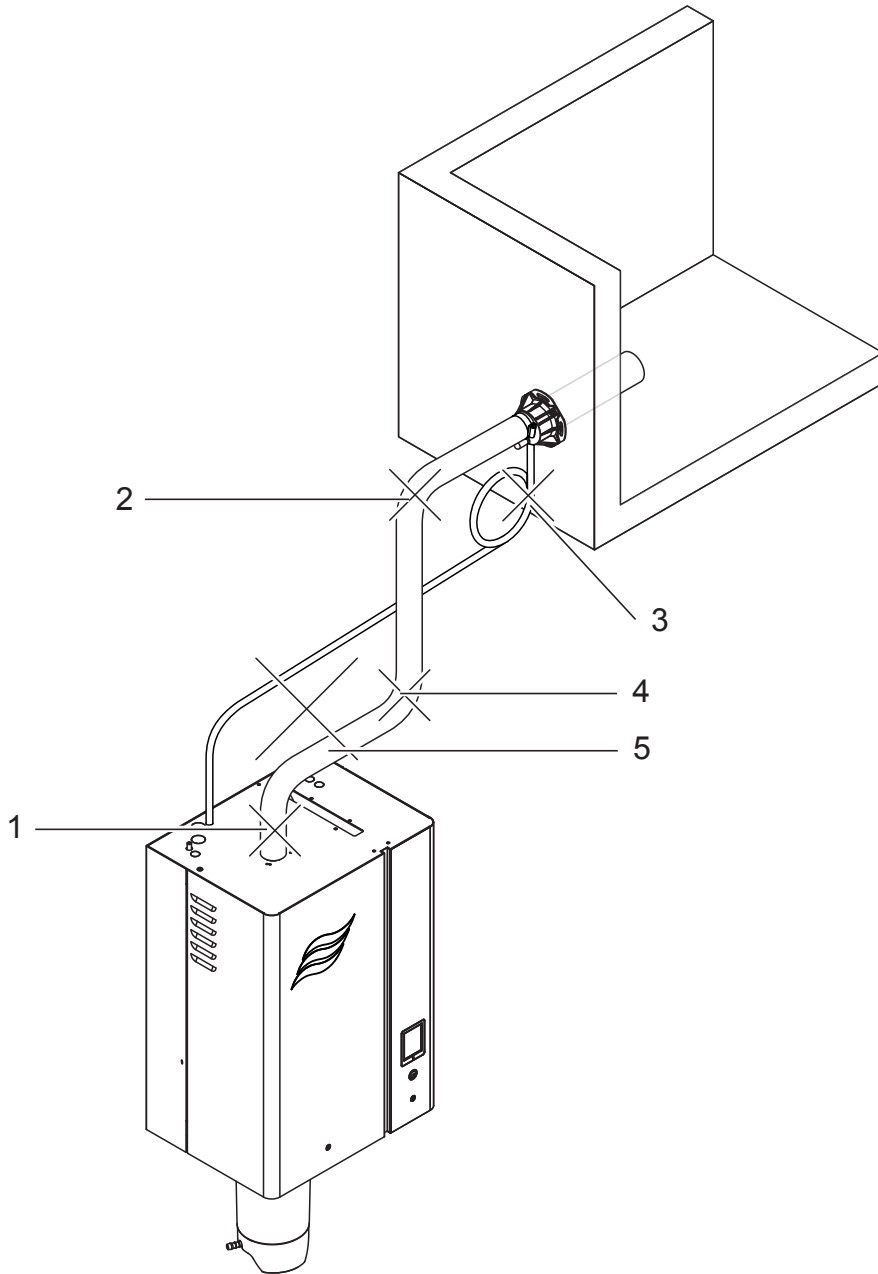
Fig. 18: Steam line with solid piping and insulation

The following notes should be observed:

- The **minimum internal diameter of the steam line** (diameter dependent on the steam generator) should be applied over the whole length of the piping.
- Use exclusively copper pipe or stainless steel (min. DIN 1.4301).
- To minimize the condensate formation (=loss), the steam pipes must be insulated.

- The **minimum bend radius** for solid pipes is **5 x internal diameter**.
- Connection of the steam pipes to the steam distributor and steam generator is effected by means of short lengths of steam hose secured with hose clamps.
- **Important!** Allowance must be made for a **pressure loss of approx. 100 Pa** per meter length or per 90° bend.

5.4.5 Common steam and condensate line errors



	Wrong	Correct
1	Steam line not led at least 300 mm perpendicularly upwards before first bend (forming of condensate).	Lead steam line at least 300 mm perpendicularly upwards before first bend.
2	Minimum bend radius of steam hose/solid steam line not maintained (forming of condensate).	The minimum bend radius of 300 mm for steam hoses or 5 times steam line internal diameter for solid steam lines must be maintained.
3	Condensate trap not sufficiently high and installed too near at the steam distributor.	The condensate trap must be at least 300 mm below the connector on the steam distributor and it must have a minimum height of 200 mm (ø200 mm).
4	No condensate trap installed at vertical transition.	Install condensate trap at all low points and before vertical transitions.
5	Steam line and condensate hose not sloped (slope min. 15 %/8.5°).	Install steam line always with constant up or downslope of min. 15 % (8.5°) and condensate hose with constant downslope of min. 15 % (8.5°).

Fig. 19: Common steam and condensate line errors

5.4.6 Inspecting the steam installation

Use the following check list to ensure that the steam installation was performed correctly:

- Steam distributor
 - Steam distributor correctly positioned and secured?
 - Unused condensate drains on steam distributor closed with cap?
- Steam hose
 - Maximum length of 4 m?
 - Steam hose/steam line guided at least 300 mm vertically upwards before the first bend?
 - Minimum upslope/downslope of at least 15% / 8.5° complied with?
 - Minimum bend radius of 300 mm for steam hose (or 5 x internal diameter with fixed piping) maintained?
 - Have the instructions for hose layout been followed?
 - Steam hose: no sagging (condensate pocket) or condensate drain with trap (hose bend with a minimum diameter of 200 mm) installed at the lowest point?
 - Fixed steam lines: properly insulated? Correct installation material used? Minimum internal diameter maintained?
 - Steam hose or steam hose pieces securely attached with clamps?
 - Heat expansion during operation and shortening of the hose with ageing taken into consideration?
- Condensate hose
 - Downslope of at least 15 %/8.5°?
 - Trap (min. ø200 mm) in place and filled with water?
 - Condensate hose correctly connected and supported and not kinked?

5.5 Water installation

5.5.1 Overview water installation

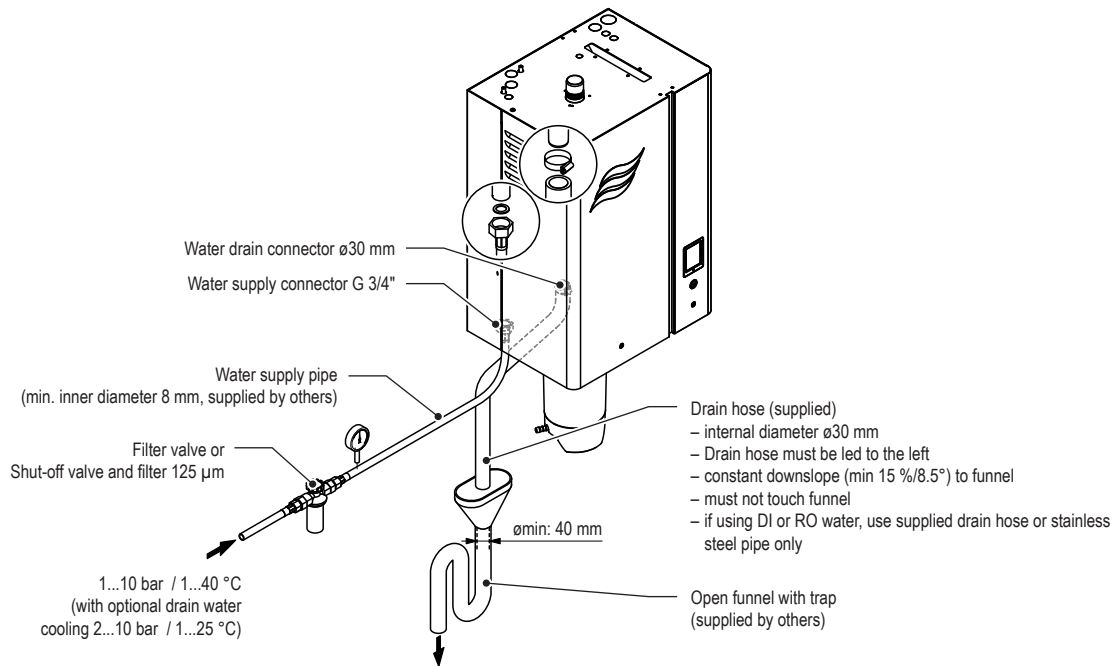


Fig. 20: Overview water installation for single units Small ("S") and Medium ("M")

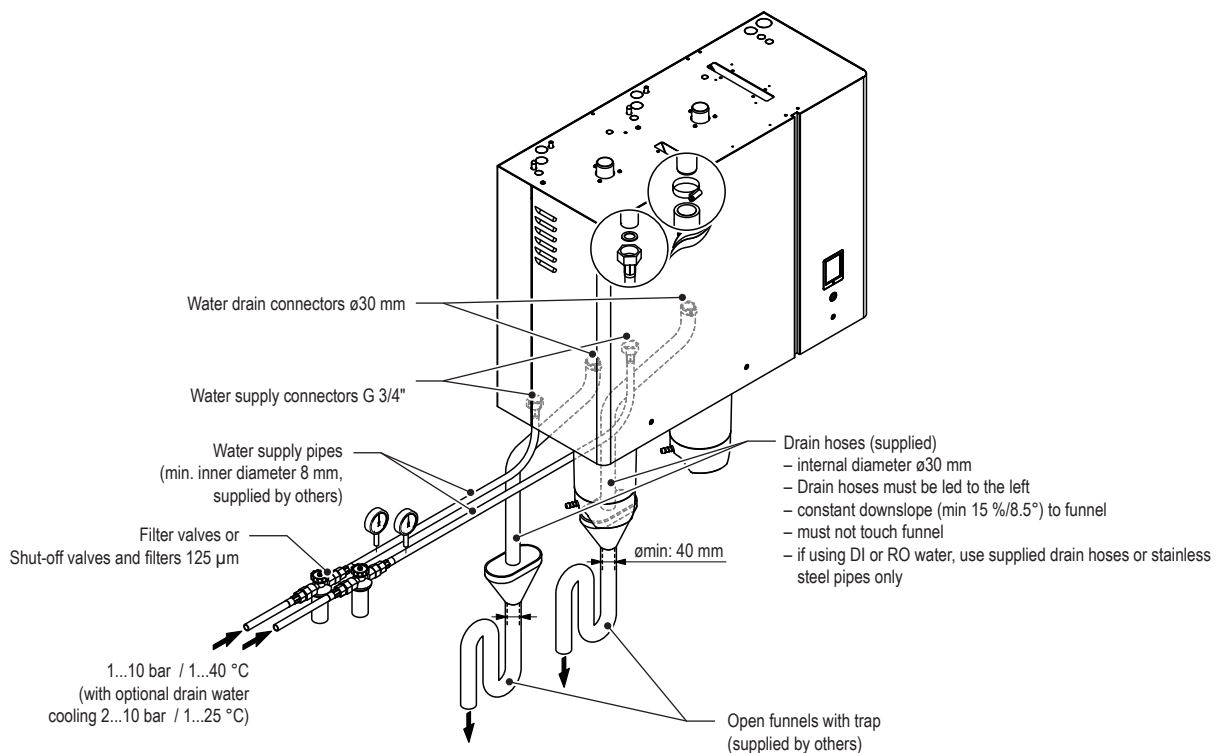


Fig. 21: Overview water installation for single units Large ("L")

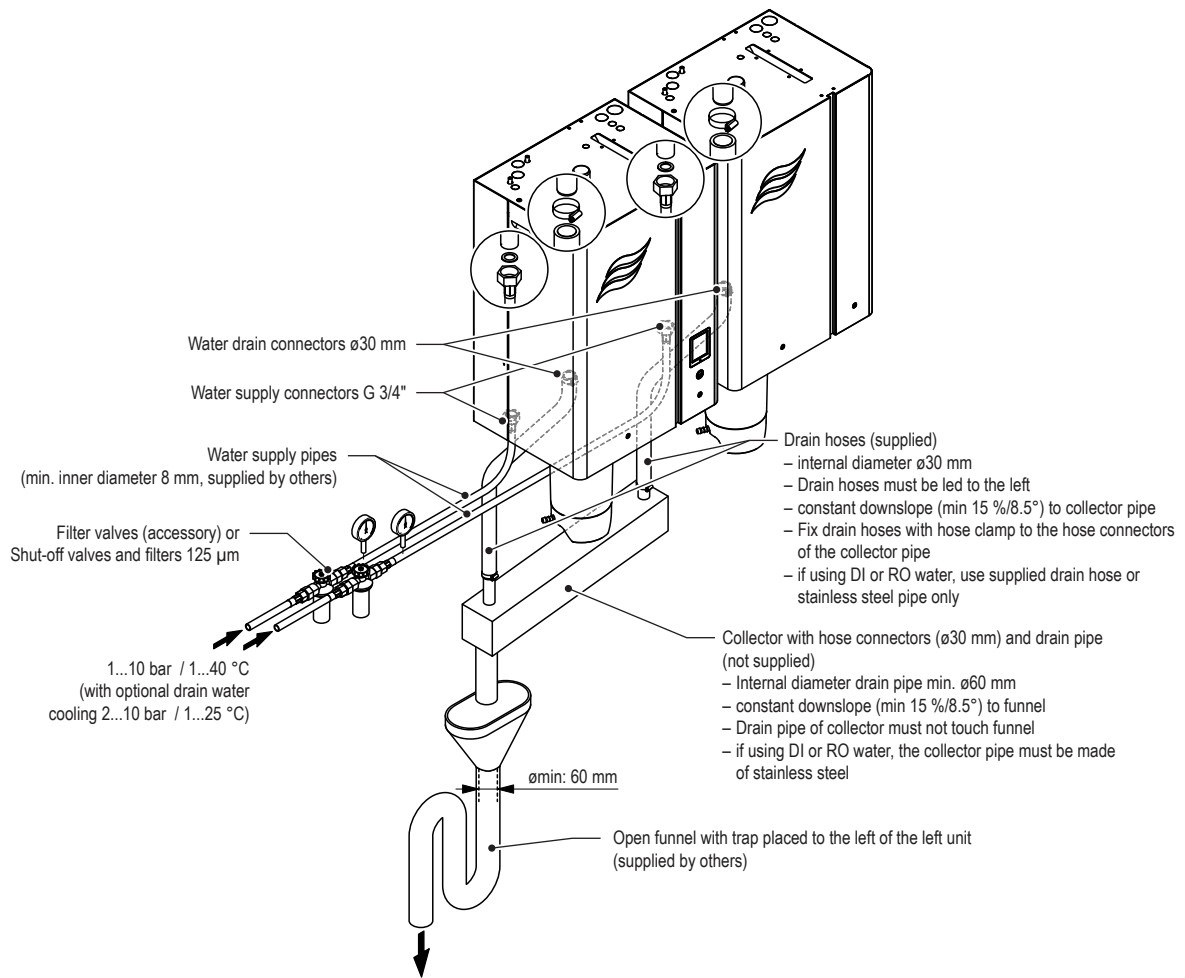


Fig. 22: Overview water installation for double units Medium ("M ")

5.5.2 Notes on water installation

Water supply

The water supply is to be carried out according to the figures found in [chapter 5.5.1](#) and the applicable local regulations for water installations. The indicated connection specifications must be observed.

Note: The steam generator Condair Omega Pro can also be supplied with reverse osmosis water from the optional Condair RO-A pure water system (see installation overviews in [chapter 5.2](#)). For detailed instructions on connecting the Condair RO-A pure water system to the Condair Omega Pro, refer to the separate instructions for this product.

- The installation of the **filter valve** (accessory "Z261", alternatively a shut-off valve and a 125 µm water filter can be used) should be made as close as possible to the steam generator.
Note: on large units with two steam cylinders, on double units and on Linkup systems each unit must be connected separately via a filter valve (or shut-off valve and water filter) to the water supply.
- Admissible water supply pressure:
 - **1.0...10.0 bar** (units **without** drain water cooling)
 - **2.0...10.0 bar** (units **with** drain water cooling)

Note: . For mains pressures >10 bar, the connection must be made via a pressure reducing valve (adjusted to 2.0 bar). For mains pressures <1.0 bar (units **without** drain water cooling) <2.0 bar (units **with** drain water cooling) please contact your Condair supplier.

Note: The water supply system must be free of pressure bumps (**hammer-free**). The installation of a check valve in the water supply line is therefore not permitted, as this can lead to pressure bumps in the water system and damage the inlet valve. If a pipe disconnecter is to be installed in the inlet water system, a model with overpressure protection must be installed. If water hammers cannot be avoided in the supply line, a pressure shock absorber must be installed.

- Supply rate: 1 l/min per 15 kg/h steam capacity
- **Notes on water quality:**
 - For the water supply of the Condair Omega Pro, use exclusively **untreated drinking water in accordance with the applicable local regulations**, water from a RO system or de-ionized water.
 - The use of **additives** such as corrosion inhibitors, disinfectants, etc. is **not allowed**, since these additives may endanger health and affect proper operation.
- The connection material must be **pressure-proof** and **certified for use in drinking water systems**.
- The water supply line(s) must be fastened with suitable means.
- **Important!** Before connecting the water line, **the line must be well flushed out**.



CAUTION!

The thread at the steam generator connection is made of plastic. To avoid overtightening, the union nut of the water pipe must be **tightened by hand** only.

Water drain

The water drain is to be carried out according to the figures found in [chapter 5.5.1](#) and the applicable local regulations for water installations. The indicated connection specifications must be observed.

- Draining rate: approx. 2,5l/min per 15 kg/h steam capacity
- The draining temperature is: 80...90 °C (with optional drain water cooling <60°C). Use temperature-resistant installation materials only!
- Make sure that the drain pipes, the funnel(s) and the siphon(s) are correctly fixed and easily accessible for inspections and cleaning purposes.

- Always lead the supplied drain hose from the connector to the left down to the funnel (see [Fig. 20](#)).
On large units with two steam cylinders each drain line must be led into a separate funnel with trap (see [Fig. 21](#)).
On double unit the drain hoses must be connected with hose clamps to a collector with constant downslope (min. 15 %/8.5°). The drain of the collector must be led with constant downslope (min. 15 %/8.5°) into a funnel with trap (see [Fig. 22](#)). The funnel must be positioned with a lateral off-set to the left side of the unit, to prevent damage to steam generator due to rising steam.
- Attach drain line(s) in such a way, that it/they cannot slip out of the funnel(s) and that it/they cannot bottom out in the funnel(s).
- The open end of the drain line(s) must not touch the funnel(s) (min. air gap 2 cm).

5.5.3 Inspecting the water installation

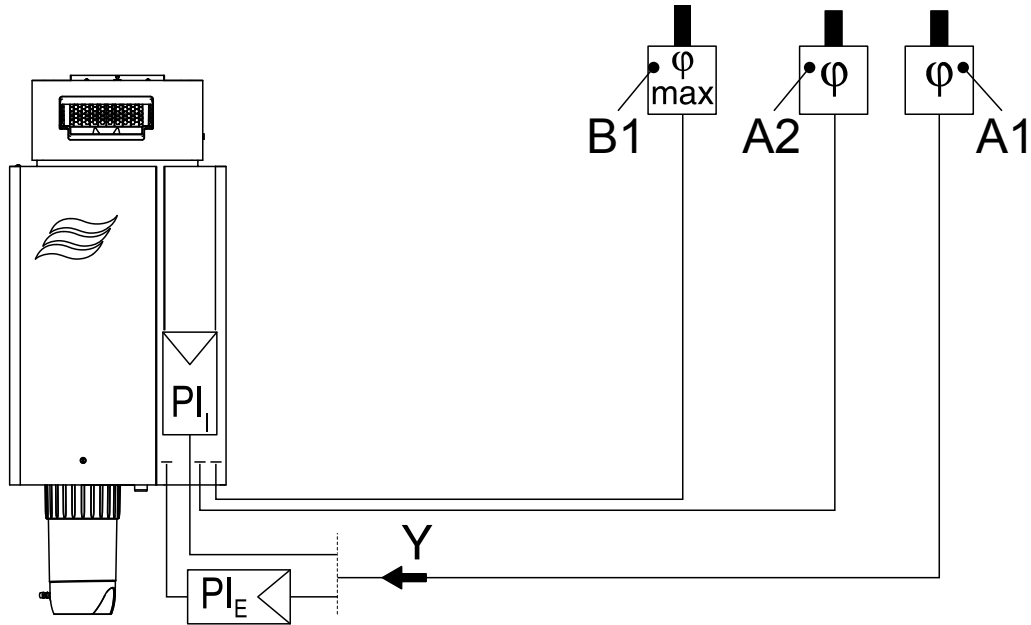
Check the following topics:

- Water supply
 - Has filter valve (accessory "Z261") or shut-off valve and 125 µm water filter respectively been installed in supply line to each unit module?
 - Has acceptable water pressure (without drain water cooling: 1 – 10 bar, with drain water cooling: 2 – 10 bar) and acceptable water temperature (without drain water cooling: 1 – 40 °C, with drain water cooling: 1 – 25 °C) been connected?
 - Does the water supply capacity match the steam generator and is the minimum inside diameter of 8 mm of the supply pipe maintained throughout the entire length (min. internal diameter of 12 mm for systems with optional drain water cooling recommended)?
 - Are all components and pipes properly secured and are all threaded connections securely tightened?
 - Is the water system properly sealed?
 - Does the water supply installation meet the requirements of the local regulations for water installations?
- Water drain
 - Is the minimum inside diameter of the drain pipe(s) of 30 mm maintained throughout the entire length?
 - Has/have drain pipe(s) been installed with a downslope of at least 15 %/8.5°?
 - Has the heat resistance of the material used been verified to be at least 100 °C (60 °C for systems with optional drain water cooling)?
 - Is/are the drain hose(s) properly secured (hose clamps at unit connection tightened)?
 - Is there an air gap (min 2 cm) between the open end of the drain line and the funnel?
 - Does the water drain installation meet the requirements of the local regulations for water installations?

5.6 Notes on humidity control for direct room humidification

5.6.1 Principle diagram room humidity control

For **direct room humidification**, the humidity sensor "A1" or hygostat "B1" is mounted directly in the room.



- A1 Humidity sensor
- A2 On/Off humidistat
- B1 Safety humidistat
- PI_E External continuous controller (e.g. PI controller)
- PI_I Internal P/PI controller
- Y Input signal from A1

Fig. 23: Room humidity control

5.7 Electrical installation

5.7.1 Notes on electrical installation



DANGER!
Danger of electric shock

The Condair Omega Pro is mains powered. Live parts may be exposed when the unit is open. Touching live parts may cause severe injury or danger to life.

Prevention: The Condair Omega Pro unit must be connected to the mains only after all mounting and installation work has been completed, all installations have been checked for correct workmanship and the unit is closed and properly locked.



CAUTION!

The electronic components inside the unit are very sensitive to electrostatic discharge. Before carrying out installations work inside the unit, appropriate measures must be taken to protect the electronic components against damage caused by electrostatic discharge (ESD protection).

- All work concerning the electrical installation must be performed only by **skilled and qualified technical personnel (e.g. electrician with appropriate training) authorised by the owner**. It is the owner's responsibility to verify proper qualification of the personnel.
- The electrical installation must be carried out according to the corresponding wiring diagram (see [chapters 5.7.2/5.7.3/5.7.4/5.7.5](#)), the notes on electrical installation as well as the applicable local regulations. All information given in the wiring diagrams and notes must be followed and observed.
- All cables must be lead into the unit, via appropriate cable strain relief or grommets. The cable for the heating voltage supply must be lead into the unit from the bottom via the cable opening equipped with the clamp. Fix the cable with the clamp strap.
- Make sure the cables are adequately clamped, do not rub on any components or become a tripping hazard.
- Observe and maintain maximum cable length and required cross section per wire according to local regulations.
- The mains supply voltages (heating and control voltage supply) must match the respective voltage stated on the specification label.

5.7.2 Wiring diagram Condair Omega Pro 5...40 - Single units "S" and "M"

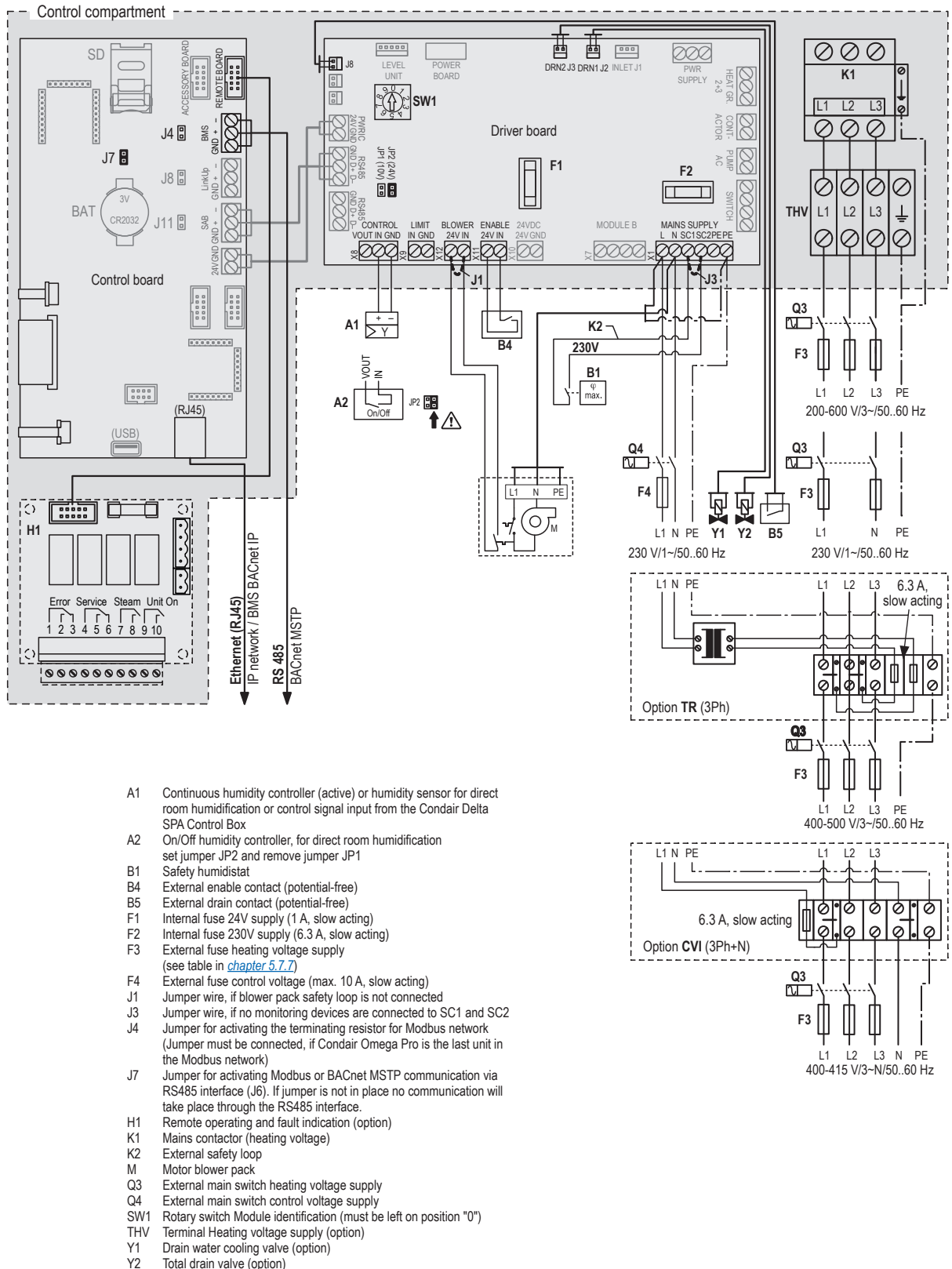
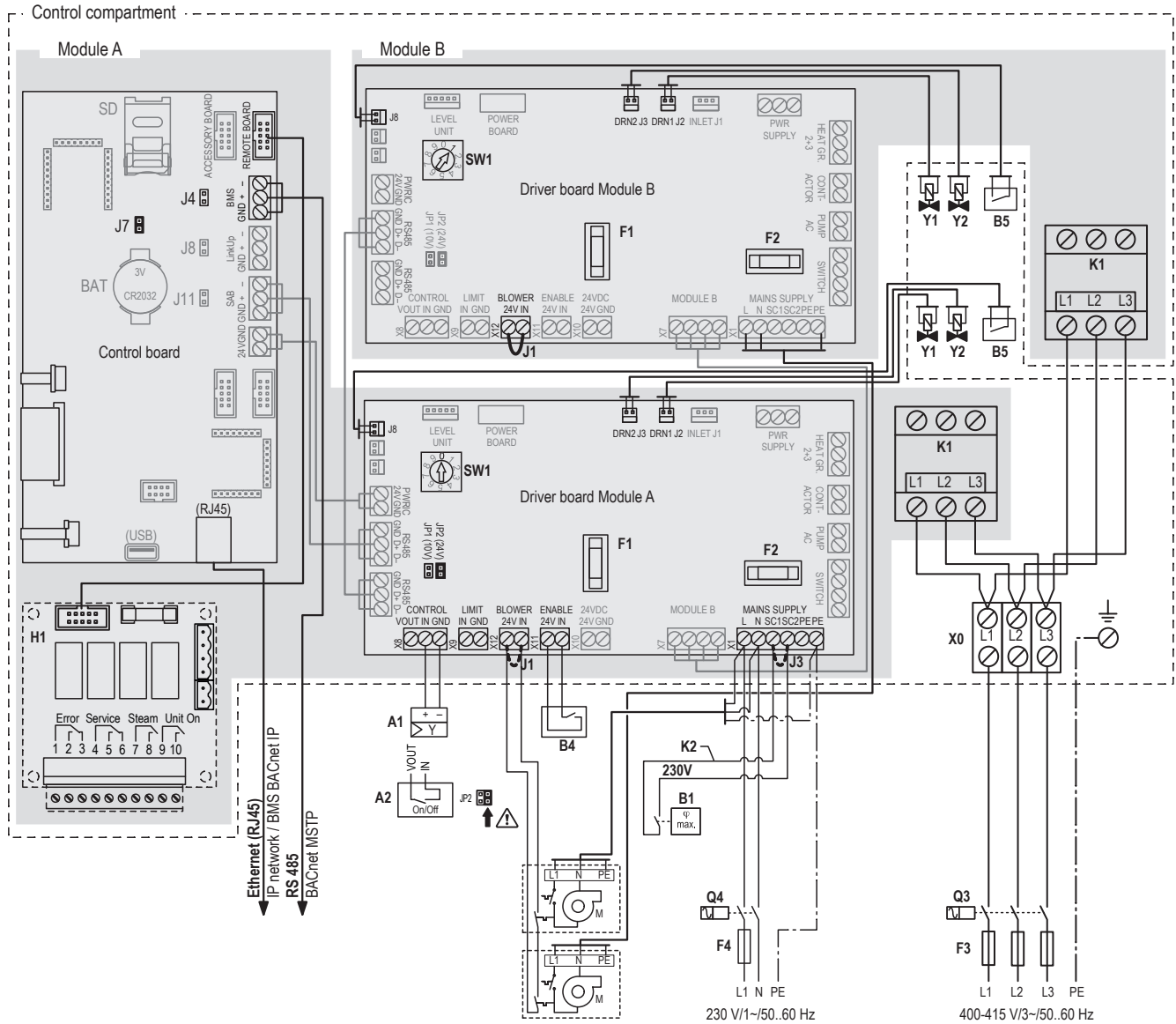


Fig. 24: Wiring diagram Condair Omega Pro - Single units "S" and "M" (5...40 kg/h)

5.7.3 Wiring diagram Condair Omega Pro 50...80 - Single units "L"



- A1 Continuous humidity controller (active) or humidity sensor for direct room humidification or control signal input from the Condair Delta SPA Control Box
- A2 On/Off humidity controller, for direct room humidification set jumper JP2 and remove jumper JP1
- B1 Safety humidistat
- B4 External enable contact (potential-free)
- B5 External drain contact (potential-free)
- F1 Internal fuse 24V supply (1 A, slow acting)
- F2 Internal fuse 230V supply (6.3 A, slow acting)
- F3 External fuse heating voltage supply (see table in [chapter 5.7.7](#))
- F4 External fuse control voltage (max. 10 A, slow acting)
- J1 Jumper wire, if blower pack safety loop is not connected
- J3 Jumper wire, if no monitoring devices are connected to SC1 and SC2
- J4 Jumper for activating the terminating resistor for Modbus network (Jumper must be connected, if Condair Omega Pro is the last unit in the Modbus network)
- J7 Jumper for activating Modbus or BACnet MSTP communication via RS485 interface (J6). If jumper is not in place no communication will take place through the RS485 interface.
- H1 Remote operating and fault indication (option)
- K1 Mains contactor (heating voltage) module A / module B
- K2 External safety loop
- M Motor blower pack
- Q3 External main switch heating voltage supply
- Q4 External main switch control voltage supply
- SW1 Rotary switch Module identification (Module A: 0, Module B: 1)
- X0 Terminal Heating voltage supply (option)
- Y1 Drain water cooling valve
- Y2 Total drain valve (option)

Fig. 25: Wiring diagram Condair Omega Pro - Single units "L" 50...80 kg/h

5.7.4 Wiring diagram Condair Omega Pro 40...80 - Double units 2 x "M"

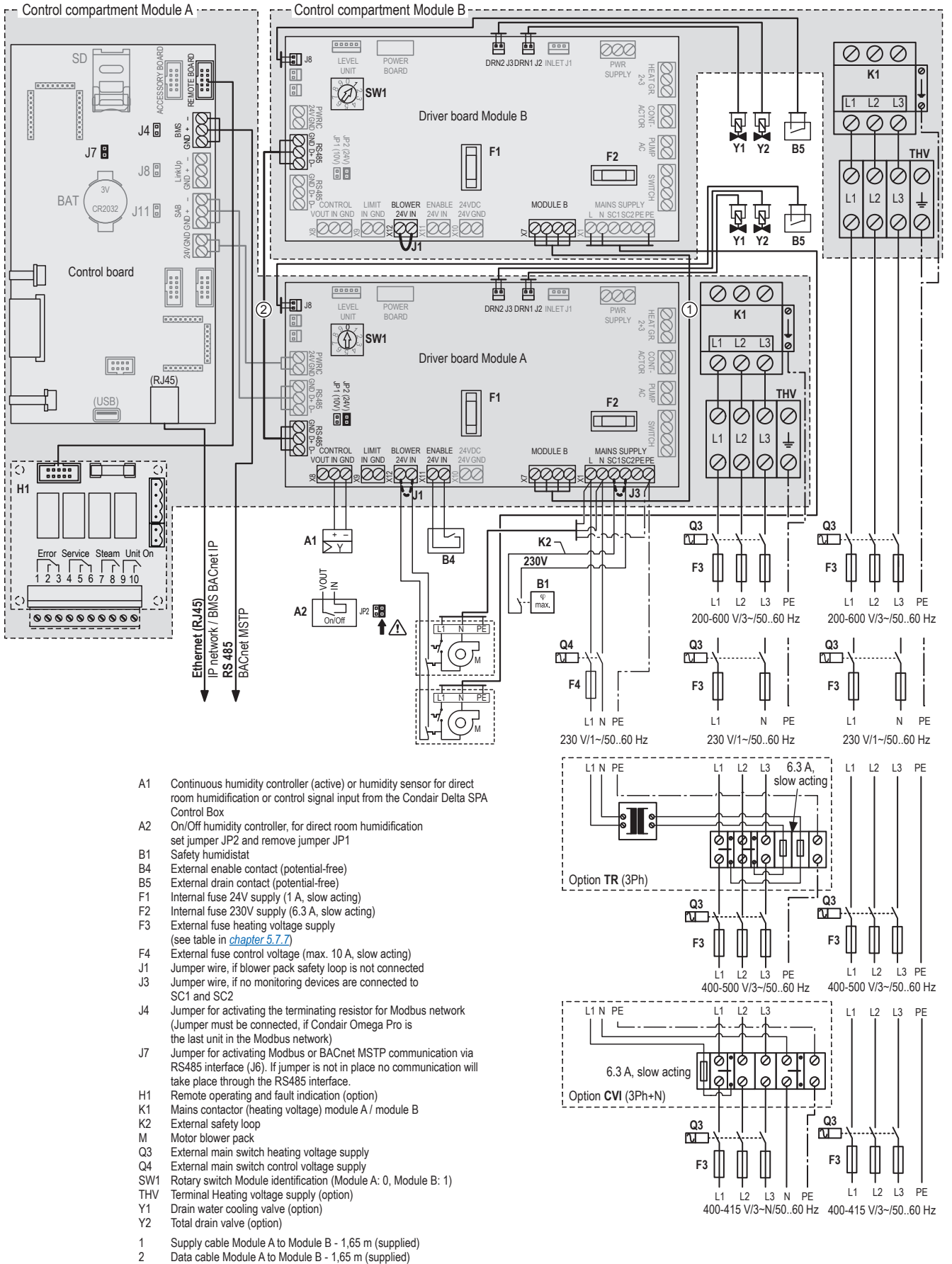


Fig. 26: Wiring diagram Condair Omega Pro - Double units (2 x "M") 40...80 kg/h

5.7.5 Wiring diagram Condair Omega Pro 100...160 - Linkup systems 3 x "M" or 4 x "M"

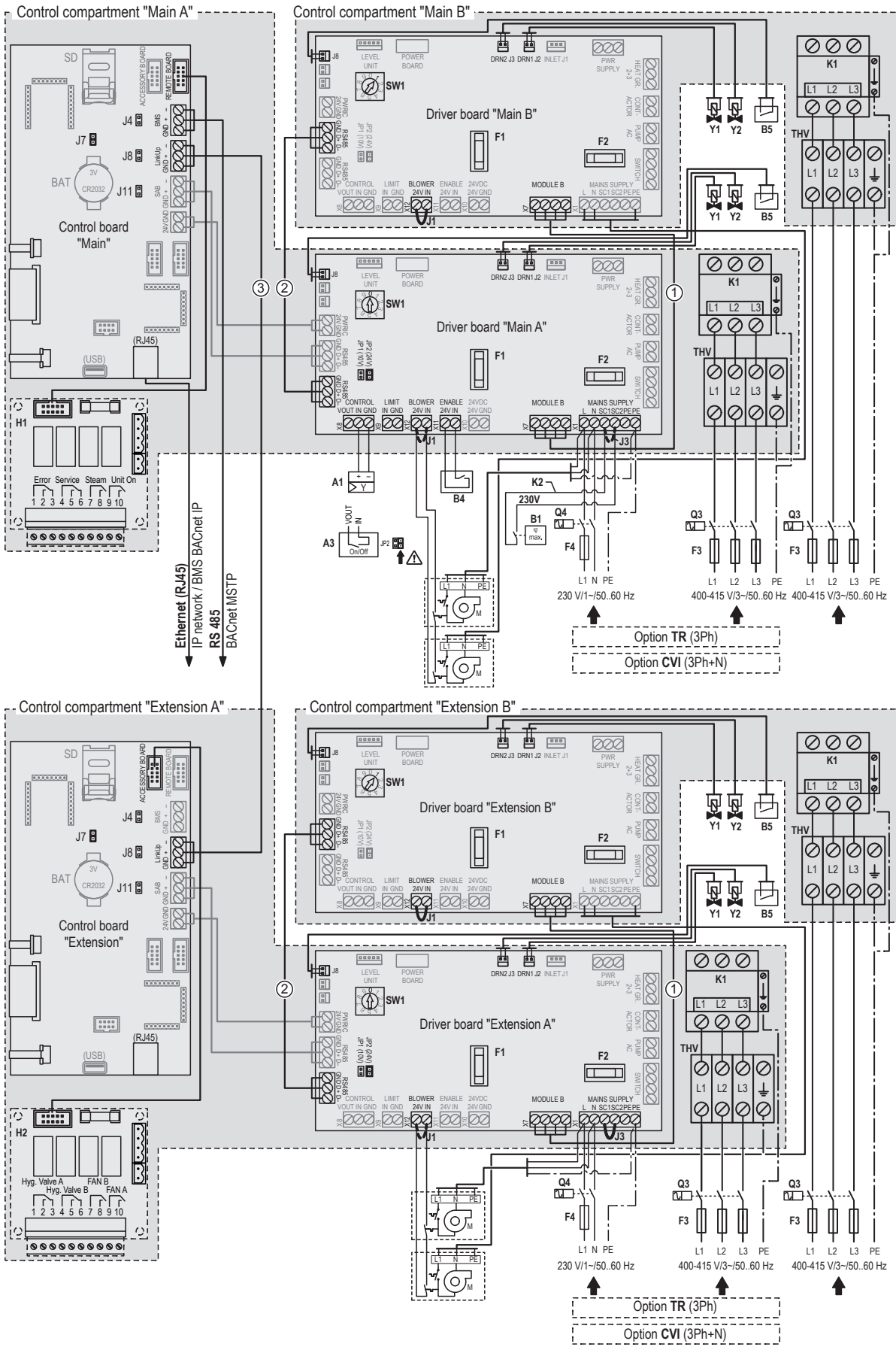


Fig. 27: Wiring diagram Condair Omega Pro - Linkup systems 100...160 kg/h

Legend

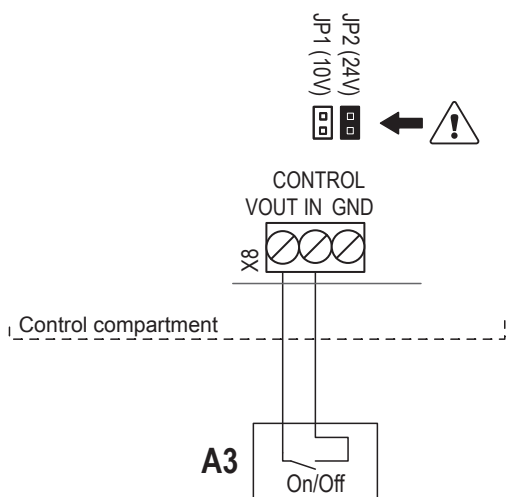
A1	Continuous humidity controller (active) or humidity sensor for direct room humidification or control signal input from the Condair Delta SPA Control Box
A2	On/Off humidity controller, for direct room humidification set jumper JP2 and remove jumper JP1
B1	Safety humidistat
B4	External enable contact (potential-free)
B5	External drain contact (potential-free)
F1	Internal fuse 24V supply (1 A, slow acting)
F2	Internal fuse 230V supply (6.3 A, slow acting)
F3	External fuse heating voltage supply (see table in chapter 5.7.7)
F4	External fuse control voltage (max. 10 A, slow acting)
J1	Jumper wire, if blower pack safety loop is not connected
J3	Jumper wire, if no monitoring devices are connected to SC1 and SC2
J4	Jumper for activating the terminating resistor for Modbus network (Jumper must be connected, if Condair Omega Pro is the last unit in the Modbus network)
J7	Jumper for activating Modbus or BACnet MSTP communication via RS485 interface (J6). If jumper is not in place no communication will take place through the RS485 interface.
J8	Termination Linkup system (Jumper must be connected, if the Condair RS is the first or the last unit in the Linkup system).
H1	Remote operating and fault indication (option)
K1	Mains contactor (heating voltage) Main A / Main B and Extension A / Extension B
K2	External safety loop
M	Motor blower pack
Q3	External main switch heating voltage supply
Q4	External main switch control voltage supply
SW1	Rotary switch Module identification (Module A: 0, Module B: 1)
THV	Terminal Heating voltage supply (option)
Y1	Drain water cooling valve (option)
Y2	Total drain valve (option)
1	Supply cable Module A to Module B - 1,65 m (supplied)
2	Data cable Module A to Module B - 1,65 m (supplied)
3	Linkup cable - 2,5 m (supplied)

5.7.6 Installation work external connections

Connecting the external safety chain	
	<p>The potential-free contacts of external monitoring devices (e.g. safety humidistat "B1") are connected in series (safety chain "K2") to the terminals "SC1" and "SC2" of the terminal block "X1" on the driver board in accordance with the wiring diagram.</p> <p>The connecting cable must be led through a cable gland into the control compartment.</p> <p>Caution! A safety humidistat for direct room humidification is highly recommended to prevent risk of over-humidification and potential damage to property.</p> <p>Note: If, for whatever reason, no external monitoring devices are connected, a jumper wire "J3" must be installed on the contacts "SC1" and "SC2" of the terminal block.</p> <p>CAUTION! Do not apply any external voltage to contacts "SC1" and "SC2" via the contacts of the external monitoring devices.</p>

Humidity control wiring	
Connecting a demand or humidity signal	
	<p>The signal cable of the Condair Delta SPA Control Box or of a humidity sensor (if the internal P/PI controller is used) are to be connected according to the wiring diagram to the terminals "IN" and "GND" on the driver board in the control compartment. The connecting cable must be led through a cable gland into the control compartment.</p> <p>Note: if the external controller or the humidity sensor shall be supplied with 10 V or 24 V from the driver board (terminal "VOUT"), the jumper JP1 must be set to 10V or 24V accordingly.</p> <p>Note: the humidity control must be configured via the control software accordingly. The admissible humidity control signal values can be found in the technical data table in the operation manual.</p> <p>If a shielded signal cable is used, connect the shielding to terminal "GND".</p> <p>Caution! If the shielding of the control signal is already connected to a potential or a grounded conductor, do not connect it to terminal "GND"</p>

Connecting a 24V On/Off humidistat

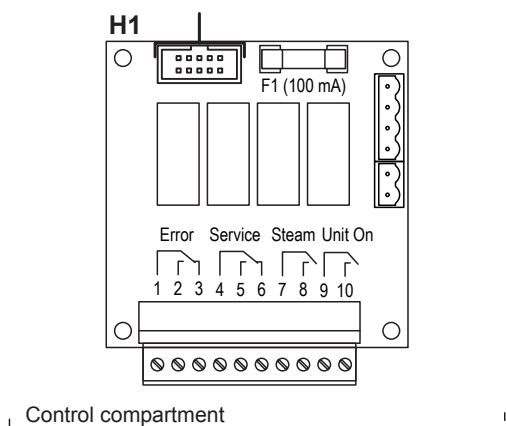


The signal cable of 24V On/Off humidistat for direct room humidification is to be connected according to the wiring diagram to the terminals "VOUT" and "IN" on the driver board in the control compartment.

The connecting cable must be led through a cable gland into the control compartment.

Note: when connecting a 24V On/Off humidistat Jumper "JP1" must be removed and Jumper "JP2" connected.

Connecting the optional remote operating and fault indication (option)



The optional remote operating and fault indication board contains four potential-free relay contacts for the connection of the following operating and fault indications:

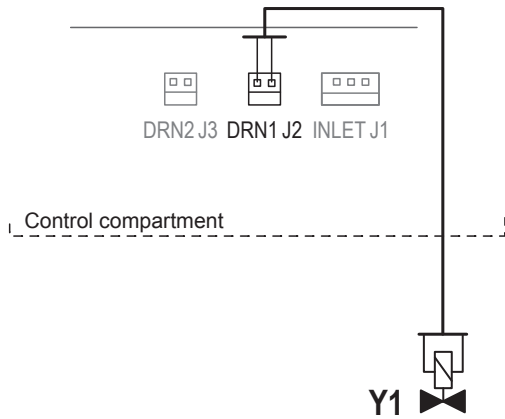
- "Error" (Terminal 1 and 2):
This relay is activated if an error is present.
- "Service" (Terminal 4 and 5):
This relay is activated when the set maintenance interval has elapsed.
Note: this relay can be configured in the control software to close either when maintenance is required or when maintenance is required and when a warning is indicated.
- "Steam" (Terminal 7 and 8):
This relay closes as soon as the Condair Omega Pro produces steam.
- "Unit on" (Terminal 9 and 10):
This relay closes as soon as the voltage supply to the Control compartment of the Condair Omega Pro is switched on.

The connecting cable must be led through a cable gland or grommet into the control compartment.

The **maximum contact loading** is **250V/8A**.

Appropriate suppressor modules are to be used for the switching of relays and miniature contactors.

Connecting the drain water cooling valve (option)

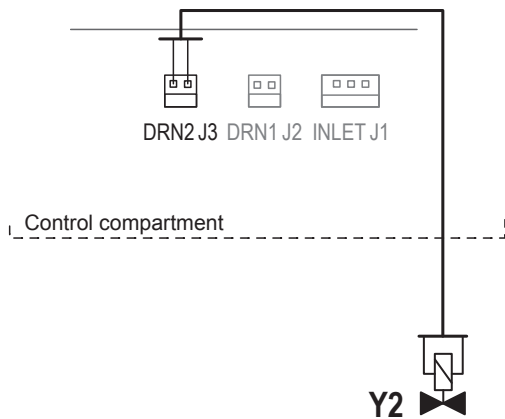


The connecting cable of the optional drain water cooling valve "Y1" is to be connected according to the wiring diagram to the terminal block "DRN1 J2" on the appropriate driver board in the control compartment.

The connecting cable must be led through a cable gland into the control compartment.

Note: if the optional drain water cooling valve is retrofitted, it must be activated via the control software. In this case contact your Condair representative.

Connecting the total drain valve (option)

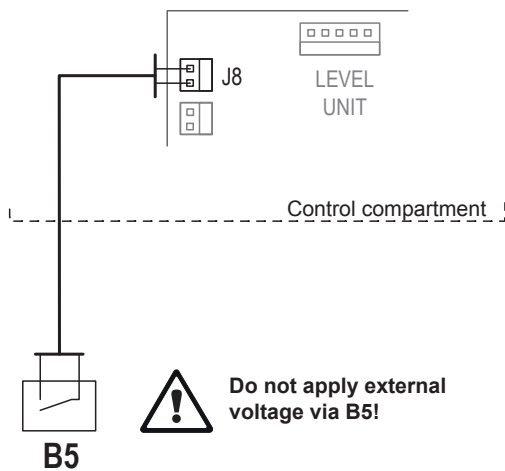


The connecting cable of the optional total drain valve "Y2" is to be connected according to the wiring diagram to the terminal block "DRN2 J3" on the appropriate driver board in the control compartment.

The connecting cable must be led through a cable gland into the control compartment.

Note: if the total drain valve is retrofitted, it must be activated via the control software. In this case contact your Condair representative.

Connecting the external drain contact (option)



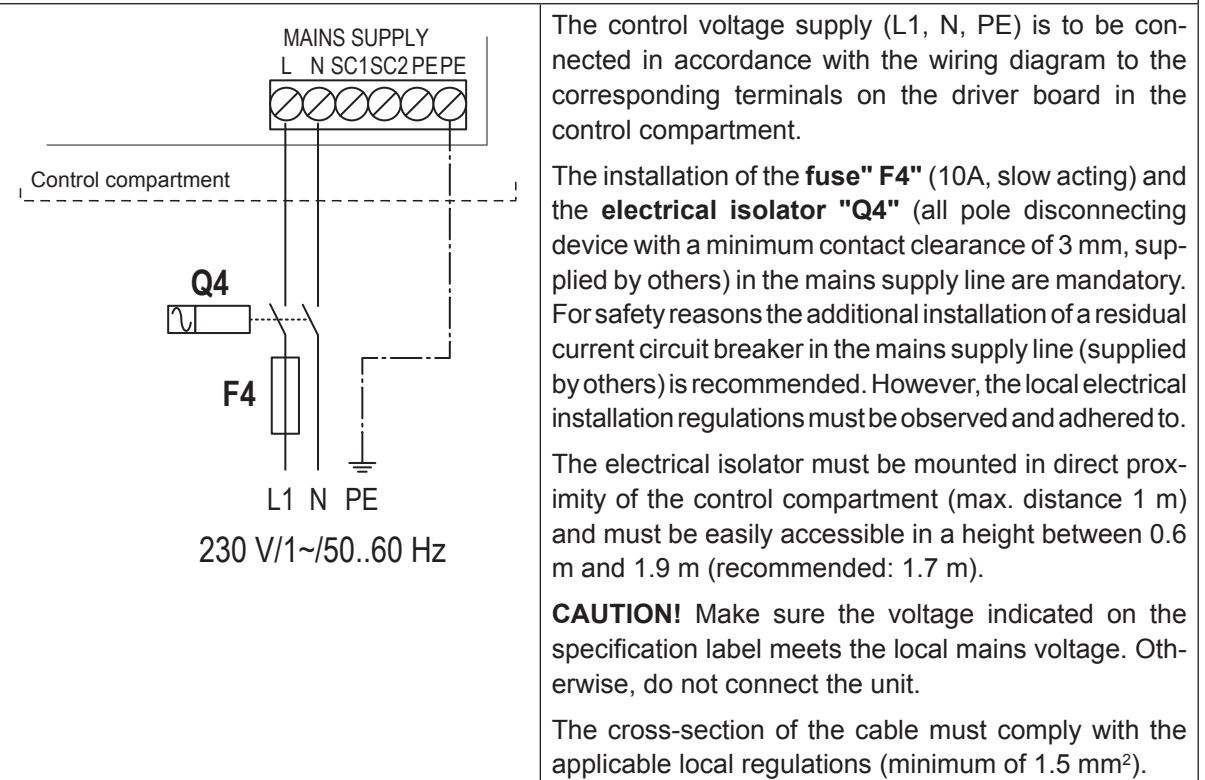
The potential-free contact of the external drain contact is connected to the terminals of the terminal block "J8" on the appropriate driver board in accordance with the wiring diagram.

The connecting cable must be led through a cable gland into the control compartment.

CAUTION! Do not apply any external voltage via the external drain contact "B5" to the terminals of terminal block "J8".

Connecting the control voltage

Note: if the Condair Omega Pro is equipped with option "CVI" or "TR", a separate control voltage supply is not required.



The control voltage supply (L1, N, PE) is to be connected in accordance with the wiring diagram to the corresponding terminals on the driver board in the control compartment.

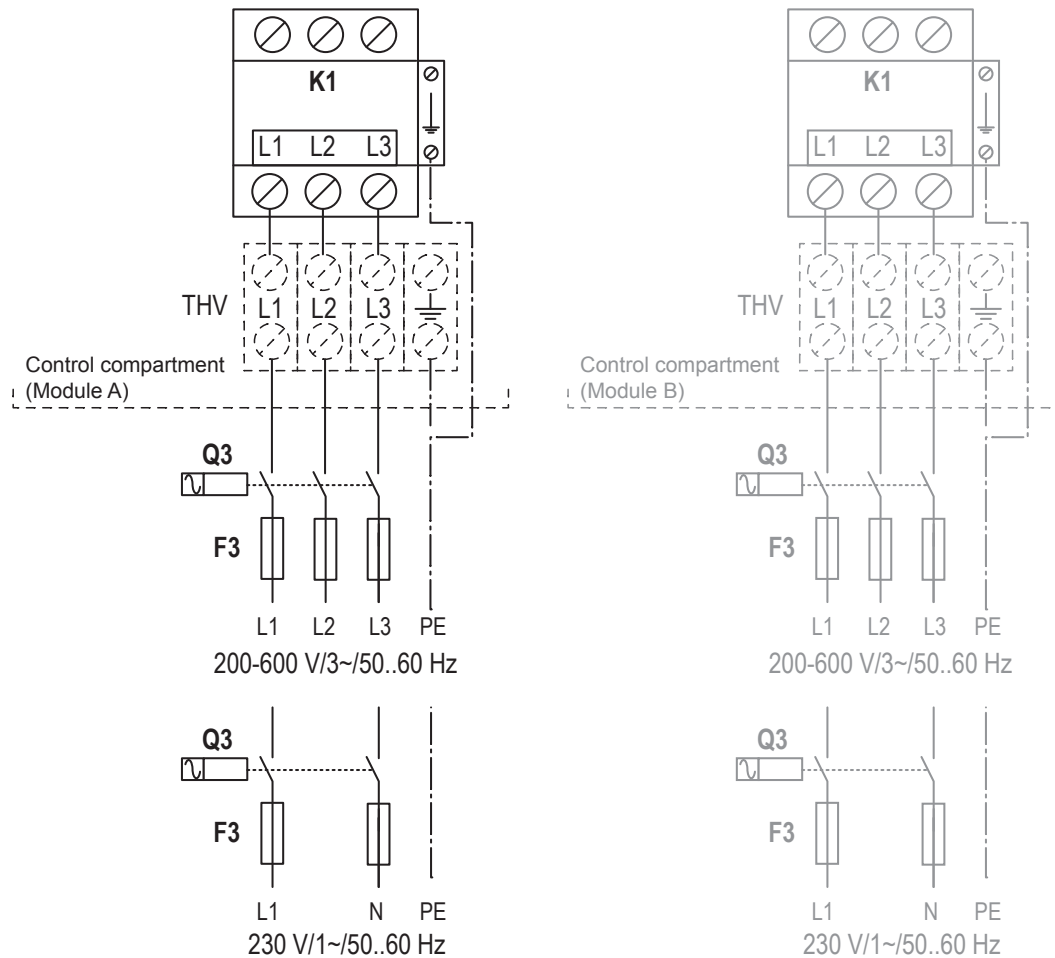
The installation of the **fuse "F4"** (10A, slow acting) and the **electrical isolator "Q4"** (all pole disconnecting device with a minimum contact clearance of 3 mm, supplied by others) in the mains supply line are mandatory. For safety reasons the additional installation of a residual current circuit breaker in the mains supply line (supplied by others) is recommended. However, the local electrical installation regulations must be observed and adhered to.

The electrical isolator must be mounted in direct proximity of the control compartment (max. distance 1 m) and must be easily accessible in a height between 0.6 m and 1.9 m (recommended: 1.7 m).

CAUTION! Make sure the voltage indicated on the specification label meets the local mains voltage. Otherwise, do not connect the unit.

The cross-section of the cable must comply with the applicable local regulations (minimum of 1.5 mm²).

Connecting the heating voltage supply



The **heating voltage supply** (L1, L2, L3 and PE or L1, N and PE) is to be connected in accordance with the wiring diagram to the corresponding terminals of the main contactor "K1" (or to the corresponding terminals of the optional terminal strip "THV") in the control compartment. The supply wiring is to be fed into the unit via the cable guide with clamp on the bottom of the unit.

Notes:

- Double units consisting of two housings have separate heating voltage supplies for each module (cylinder).
- Large units with two cylinders have a single heating voltage supply which is connected to the terminals of terminal strip "X0" and from there branched to each of the two modules (see wiring diagram in [chapter 5.7.3](#)).

The installation of the **fuses "F3" and the electrical isolator "Q3"** (all pole disconnecting device with a minimum contact clearance of 3 mm, supplied by others) in the mains supply line are mandatory.

Note: a table with the values for the fuses "F3" is to be found in [chapter 5.7.7](#).

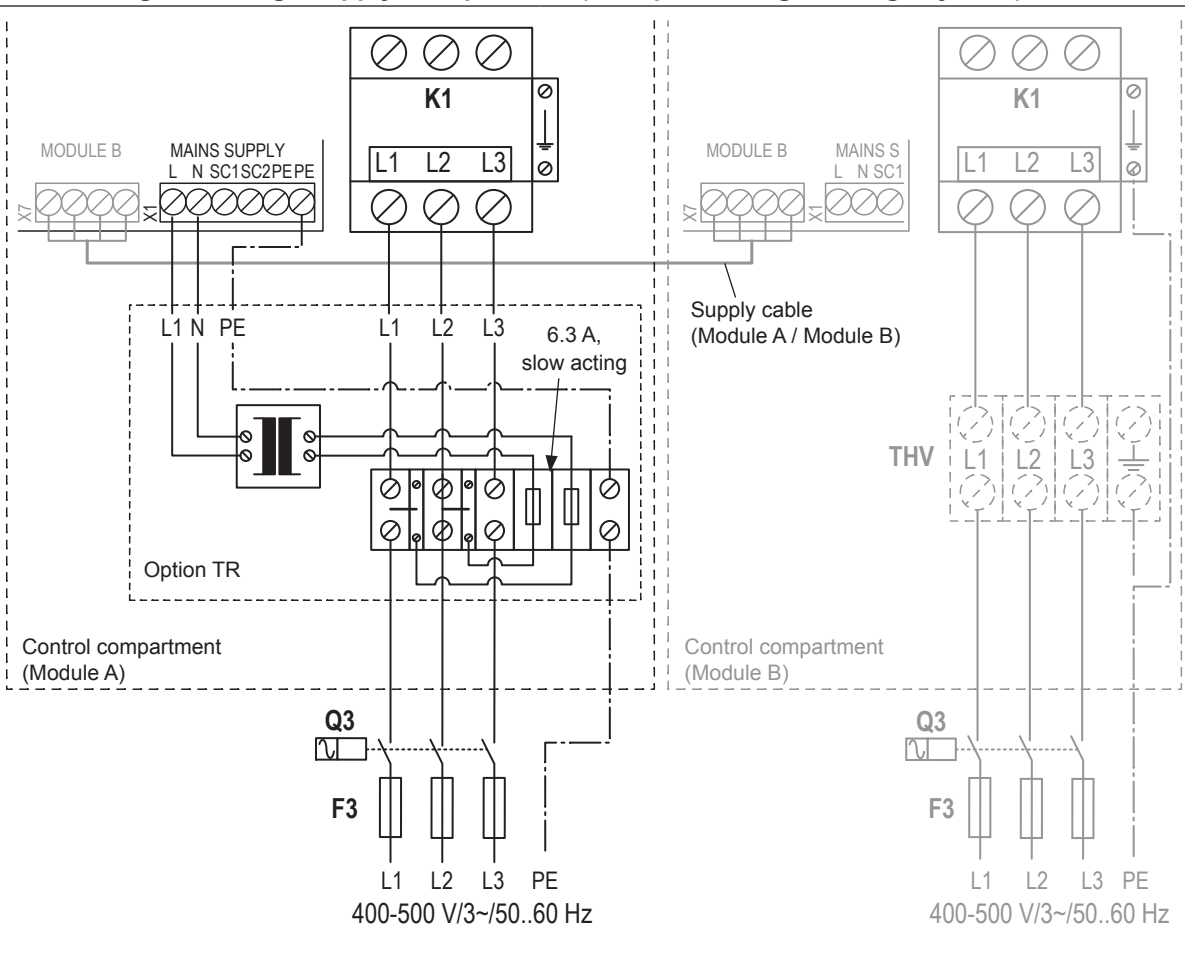
For safety reasons the additional installation of a residual current circuit breaker in the mains supply line (supplied by others) is recommended. However, the local electrical installation regulations must be observed and adhered to.

The electrical isolator must be mounted in direct proximity of the control compartment (max. distance 1 m) and must be easily accessible in a height between 0.6 m and 1.9 m (recommended: 1.7 m).

CAUTION! Make sure the voltage indicated on the specification label meets the local mains voltage. Otherwise, do not connect the unit.

The cross-section of the mains cable must comply with the applicable local regulations.

Connecting the voltage supply via option TR (for 3 phase single voltage system)



The **voltage supply** (L1, L2, L3 and PE) is to be connected in accordance with the wiring diagram to the corresponding terminals of the option TR. The supply wiring is to be fed into the unit via the clamp strap on the bottom of the unit.

Note: On double units consisting of two housings the heating voltage supply for module B is connected directly to the corresponding terminals of the main contactor "K1" or to the corresponding terminals of the optional terminal strip "THV". The control voltage supply to module B is established via the supply cable connected to the terminal strips "X7" on the driver boards of module A and module B.

The installation of the **fuses "F3" and the electrical isolator "Q3"** (all pole disconnecting device with a minimum contact clearance of 3 mm, supplied by others) in the mains supply line are mandatory.

Note: a table with the values for the fuses "F3" is to be found in [chapter 5.7.7](#).

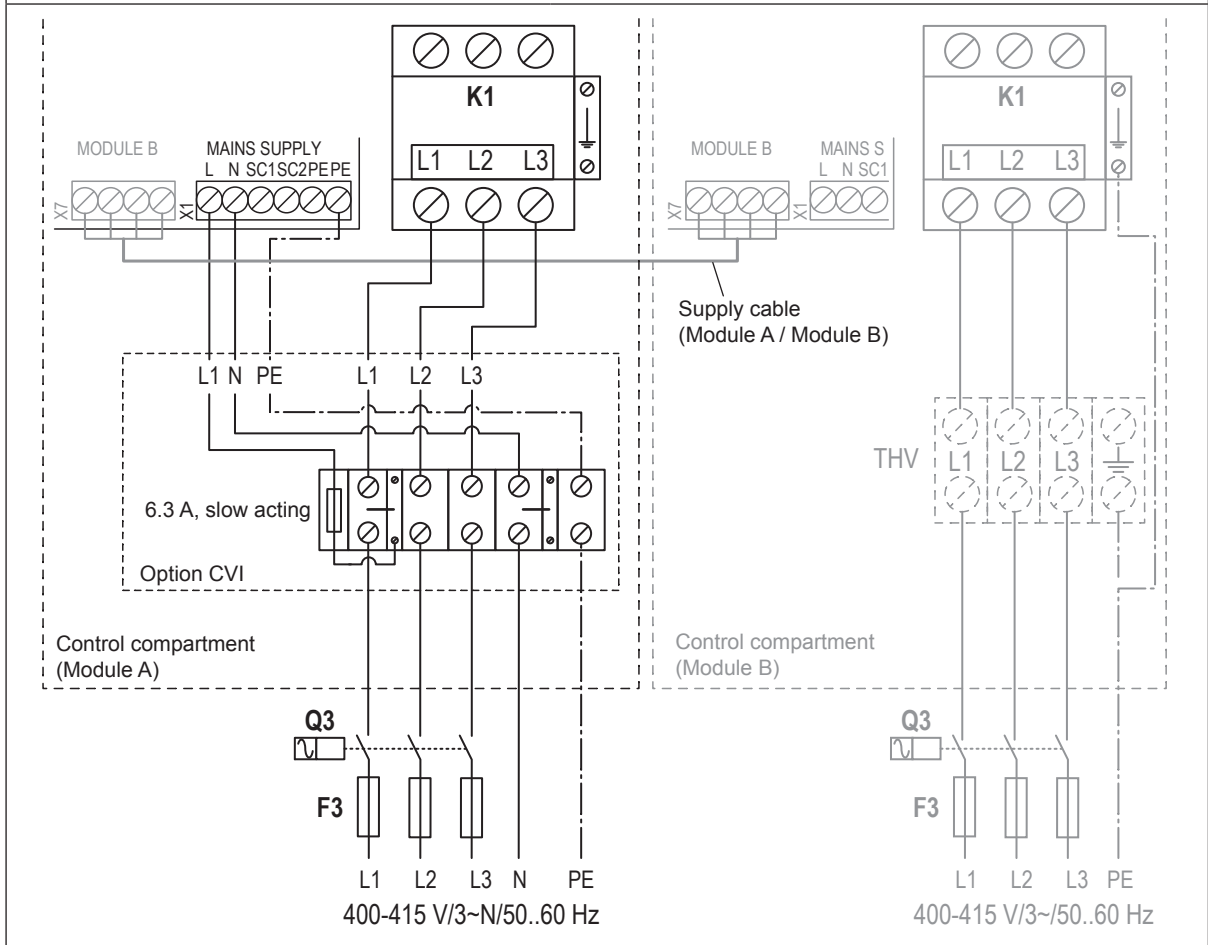
For safety reasons the additional installation of a residual current circuit breaker in the mains supply line (supplied by others) is recommended. However, the local electrical installation regulations must be observed and adhered to.

The electrical isolator must be mounted in direct proximity of the control compartment (max. distance 1 m) and must be easily accessible in a height between 0.6 m and 1.9 m (recommended: 1.7 m).

CAUTION! Make sure the voltage indicated on the specification label meets the local mains voltage. Otherwise, do not connect the unit.

The cross-section of the mains cable must comply with the applicable local regulations.

Connecting the voltage supply via Option CVI (for 3 phase/neutral single voltage system)



The **voltage supply** (L1, L2, L3, N and PE) is to be connected in accordance with the wiring diagram to the corresponding terminals of the option CVI. The supply wiring is to be fed into the unit via the clamp strap on the bottom of the unit.

Note: On double units consisting of two housings the heating voltage supply for module B is connected directly to the corresponding terminals of the main contactor "K1" or to the corresponding terminals of the optional terminal strip "THV". The control voltage supply to module B is established via the supply cable connected to the terminal strips "X7" on the driver boards of module A and module B.

The installation of the **fuses "F3" and the electrical isolator "Q3"** (all pole disconnecting device with a minimum contact clearance of 3 mm, supplied by others) in the mains supply line are mandatory.

Note: a table with the values for the fuses "F3" is to be found in [chapter 5.7.7](#).

For safety reasons the additional installation of a residual current circuit breaker in the mains supply line (supplied by others) is recommended. However, the local electrical installation regulations must be observed and adhered to.

The electrical isolator must be mounted in direct proximity of the control compartment (max. distance 1 m) and must be easily accessible in a height between 0.6 m and 1.9 m (recommended: 1.7 m).

CAUTION! Make sure the voltage indicated on the specification label meets the local mains voltage. Otherwise, do not connect the unit.

The cross-section of the mains cable must comply with the applicable local regulations.

Connecting the blower pack BP

See separate documentation for blower pack BP.

5.7.8 Inspecting the electrical installation

Check the following points:

- Do the supply voltages for heating and control voltage comply with the relevant voltages stated on the specification label?
- Are the voltage supplies (heating and control voltage) correctly fused?
- Are the service switches "Q.." installed in the supply lines for to the heating and control voltage?
- Are all components correctly connected according to the wiring diagram?
- Are all connecting cables fastened?
- Are the connecting cables free of tension (passed through cable glands?)
- Does the electric installation meet the applicable local regulations for electric installations?
- Is the unit reassembled correctly and the front panel fixed with the screw?

6 Appendix

6.1 Unit dimensions

6.1.1 Unit dimensions unit "S" (Omega Pro 5...10)

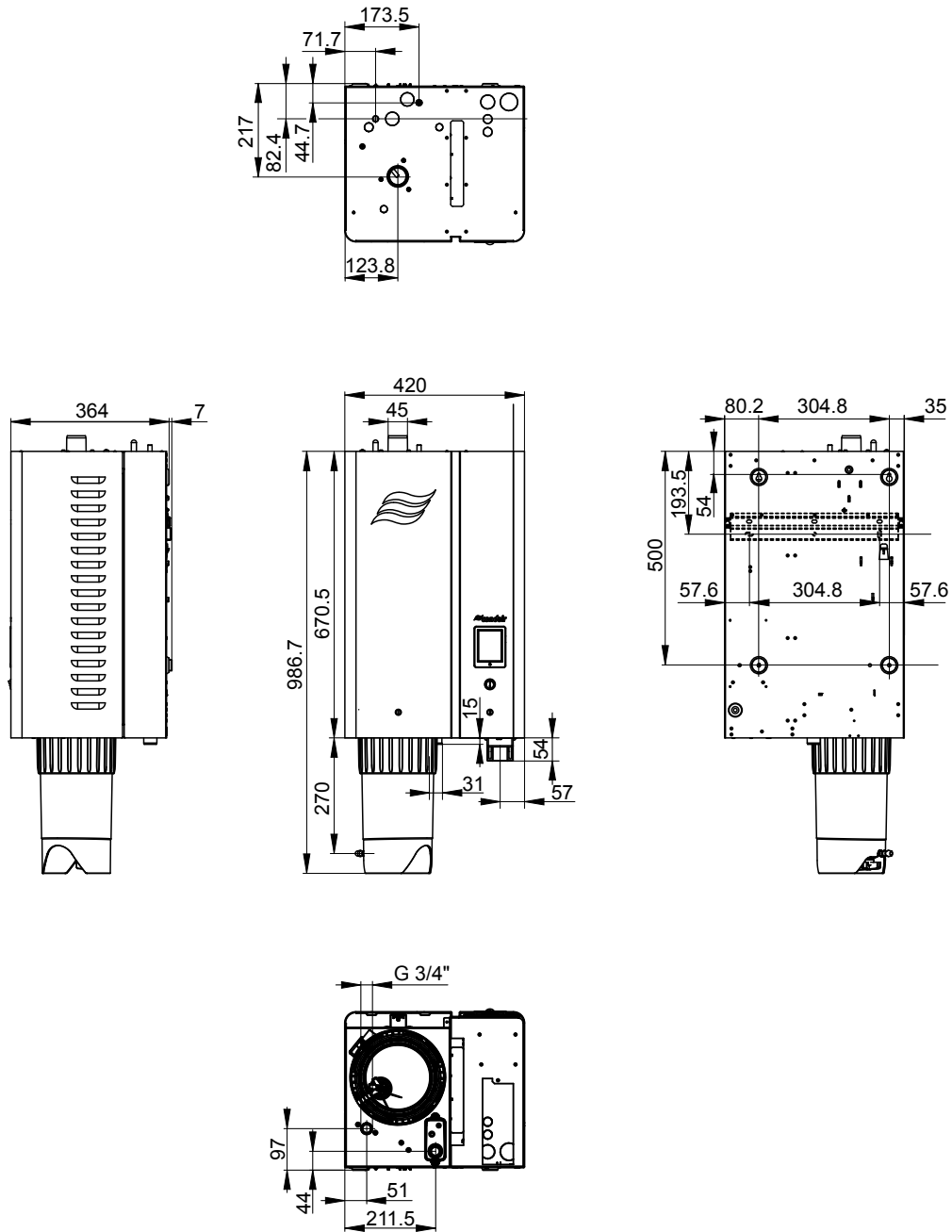


Fig. 28: Unit dimensions unit "S" (dimensions in mm)

6.1.2 Unit dimensions unit "M" (Omega Pro 16...160)

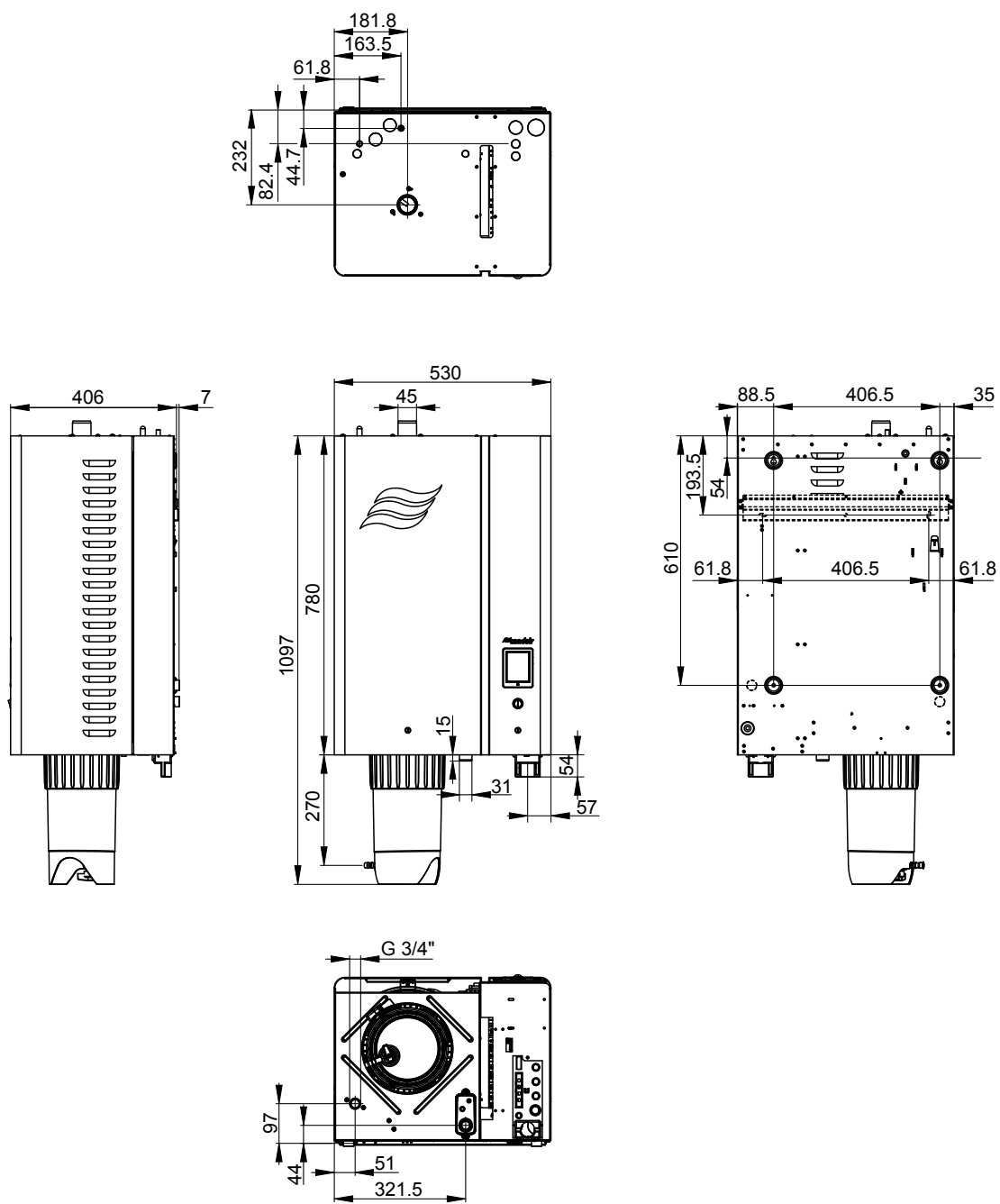


Fig. 29: Unit dimensions unit "M" (dimensions in mm)

6.1.3 Unit dimensions unit "L" (Omega Pro 50...80)

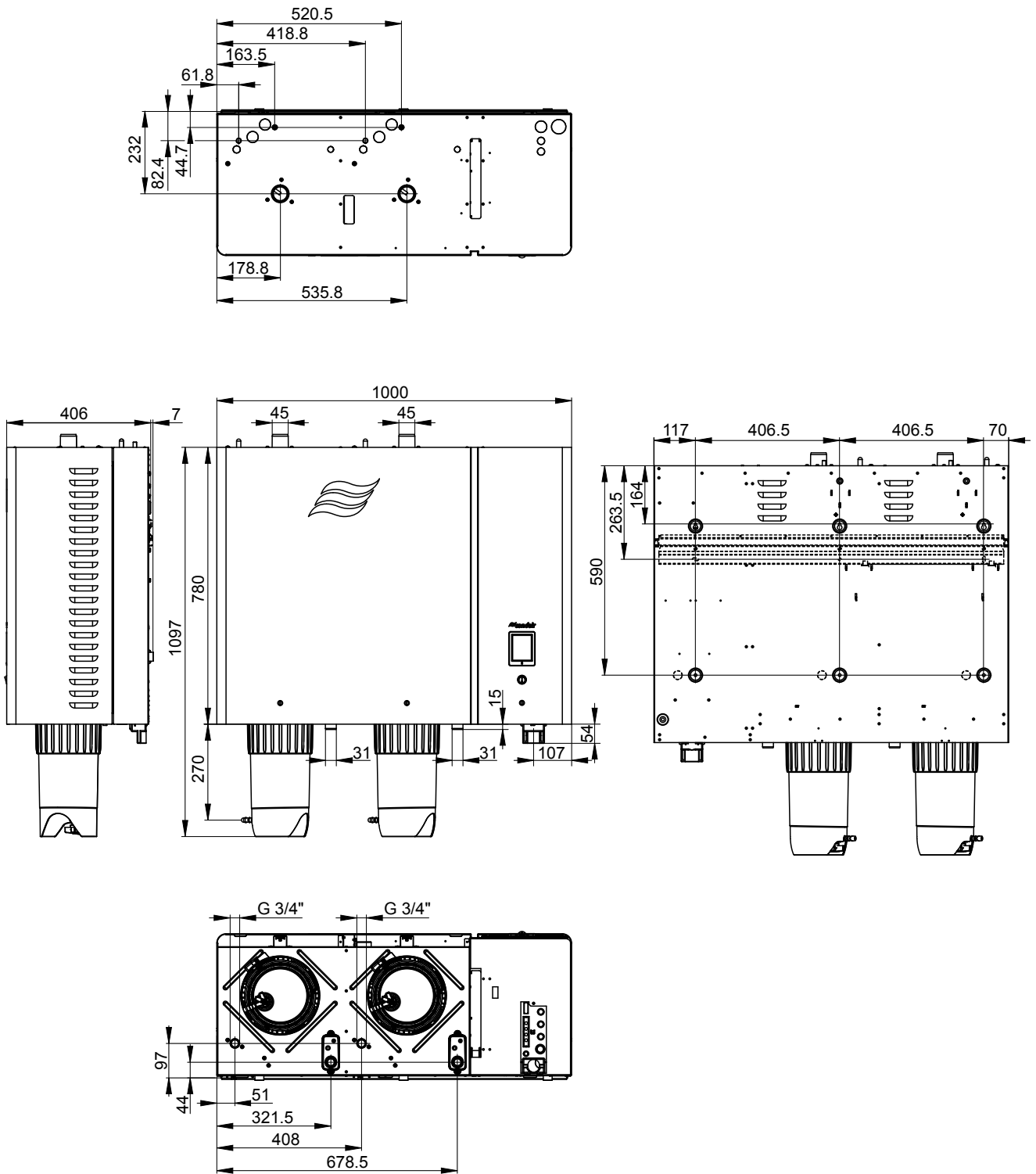


Fig. 30: Unit dimensions unit "L" (dimensions in mm)

6.2 EC Declaration of conformity



EC

Konformitätserklärung

Declaration of conformity

Déclaration de conformité

Wir,
Condair Group AG
CH-8808 Pfäffikon SZ
erklären in alleiniger Verantwortung,
dass das Produkt

We,
Condair Group AG
CH-8808 Pfäffikon SZ
declare under our sole responsibility, that
the product

Nous,
Condair Group AG
CH-8808 Pfäffikon SZ
déclarons sous notre seule
responsabilité, que le produit

Condair Omega Pro

auf das sich diese Erklärung bezieht,
mit den folgenden Normen oder
normativen Dokumenten
übereinstimmt

to which this declaration relates is in
conformity with the following standards or
other normative standards

auquel se réfère cette déclaration est
conforme aux normes ou autres
documents normatifs

EN 61000-6-2
EN 61000-6-3
EN 60335-1
EN 60335-2-98
EN 62233

und den Bestimmungen der folgenden
Richtlinien entspricht

and is corresponding to the following
provisions of directives

et est conforme aux dispositions des
directives suivantes

2014 / 35 / EU
2014 / 30 / EU

2588659 DE/EN/FR 1905

Pfäffikon, March 01, 2020

Condair Group AG

Robert Merki
Head of Engineering

Condair Group AG
Gwattstrasse 17
8808 Pfäffikon, Switzerland
Tel. +41 55 416 61 11, Fax +41 55 588 00 07
info@condair.com, www.condairgroup.com

CONSULTING, SALES AND SERVICE:



CH94/0002.00

Condair Group AG
Gwattstrasse 17, 8808 Pfäffikon SZ, Switzerland
Phone +41 55 416 61 11, Fax +41 55 588 00 07
info@condair.com, www.condairgroup.com

The Condair logo features a stylized graphic of three wavy lines to the left of the word 'condair' in a bold, lowercase, sans-serif typeface.